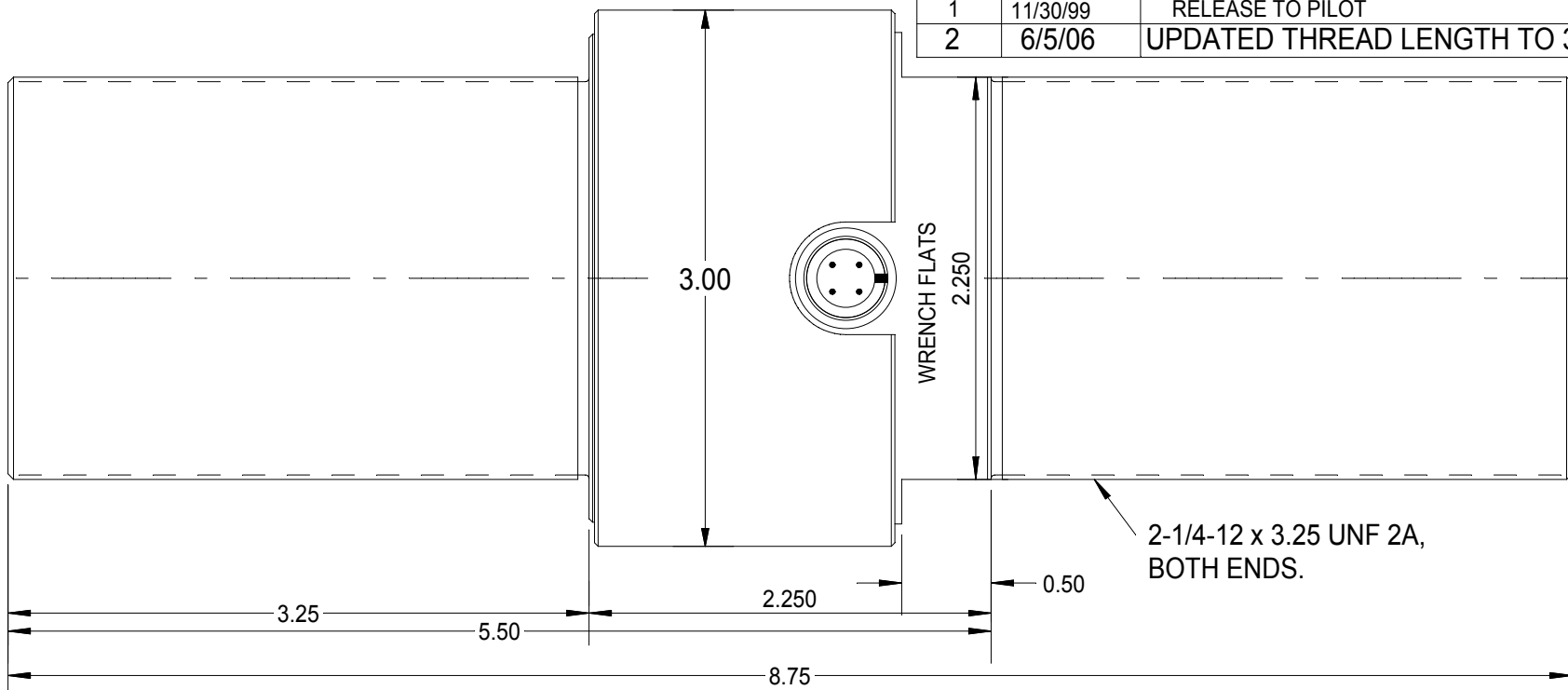


REV	DATE	DESCRIPTION	ECO	SIGN
1	11/30/99	RELEASE TO PILOT	856	RAB
2	6/5/06	UPDATED THREAD LENGTH TO 3.25 IN.		

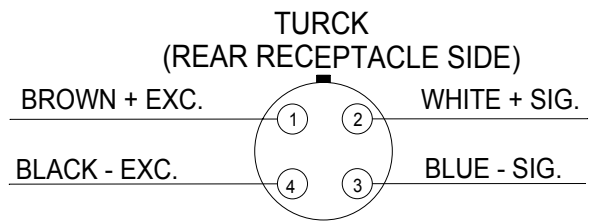


**SPECIFICATIONS:**

Rated Capacity, (COMPRESSION)	200,000 pounds
Rated Output, typical	2.2 mV/V
Combined error	0.50 % F.S.
Non-repeatability	0.1 % F.S.
Zero Balance	1 % R.O.
Temperature Range, Compensated	50ø F to 120ø F
Temperature Effect, Output	0.018 % of load / ø F
Temperature Effects, Zero Balance	NOT RATED *
Bridge Impedance, Typical	700 ohms
Excitation Voltage, Typical	10 VDC or VAC rms
Excitation Voltage, Maximum	15 VDC or VAC rms
Insulation Resistance	> 5,000 megohms at 50 VDC
Overload, Safe	125 % over capacity
Overload, Ultimate	150 % over capacity
Deflection at Rated Capacity, Approximate	0.015 inch
Construction	Tool steel

NORMAL INSTALLATION TORQUE: 500 FT-LBS.

3,500 FT-LBS OR MORE WILL RESULT IN UN-REPAIRABLE DAMAGE.



MATING PLUG: T.T.I. NO. (4245-222) INCLUDED

COLOR CODE: T.T.I. COLOR  
 BROWN + EXC. GREEN  
 BLACK - EXC. BLACK  
 WHITE + SIG. WHITE  
 BLUE - SIG. RED



\* WHEN USED WITH T.T.I. LOAD MONITOR, THE ZERO BASE IS ADJUSTED TO TRUE ZERO BETWEEN EACH STROKE, TCZ IS NOT NEEDED.



Designed By: <b>Mettert</b>	Date: <b>10/26/99</b>	Title / Description: <b>TT56-200K POUND UNIVERSAL LOAD CELL</b>	Part No. <b>TT56-200KLB</b>
Drawn By:	Date:		File Name <b>11464SP.FCD</b>
Approved By:	Date:	Dwg. Size: <b>A</b> Dwg. Type: <b>SPEC</b>	Doc. No. <b>11464</b>