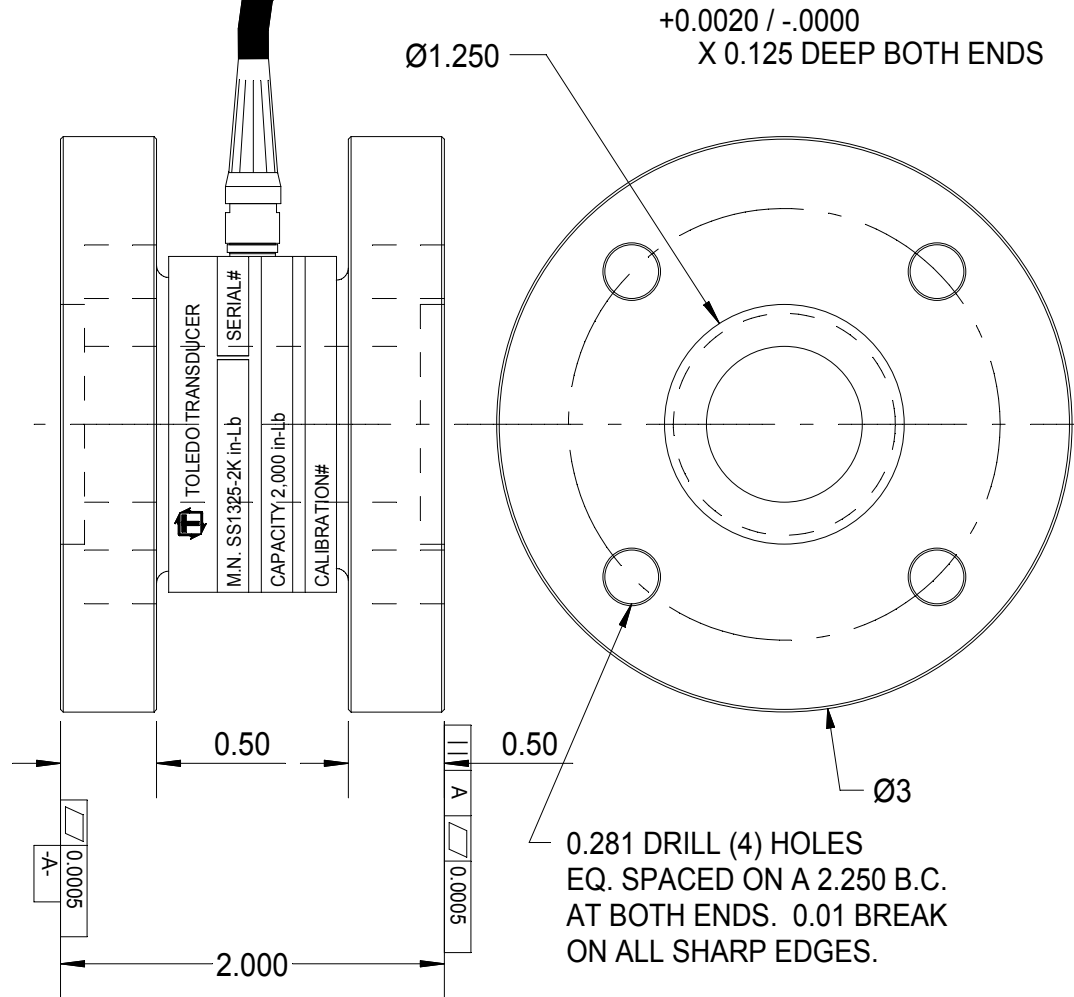


REV	DATE	DESCRIPTION	ECO	SIGN

10 FOOT LONG CABLE



SPECIFICATIONS:

Rated Capacity	2,000 inch-pounds
Rated Output, typical	2 mV/V
Combined error	0.1 % F.S.
Non-repeatability	0.05 % F.S.
Zero Balance	1 % R.O.
Temperature Range, Compensated	50 F to 120 F
Temperature Effect, Output	0.005 % of load / F
Temperature Effects, Zero Balance	0.005 % / R.O. / F
Bridge Impedance, Typical	350 ohms
Excitation Voltage, Typical	10 VDC or VAC rms
Excitation Voltage, Maximum	15 VDC or VAC rms
Insulation Resistance	> 5,000 megohms at 50 VDC
Overload, Safe	150 % over capacity
Overload, Ultimate	200 % over capacity
Construction	Aluminum

Cable color code:

Red	+ Excitation
Black	- Excitation
Green	+ Signal
White	- Signal
Shield	Floats at cell

TOLERANCES UNLESS OTHERWISE SPECIFIED:	
.XXX = \pm 0.005	SCALE: FULL
.XX = \pm 0.015	
.X = \pm 0.025	
FINISH: 32 MICRO INCH OR LESS	

TOLEDO
TRANSDUCERS,
INC.

Designed By:	Mettert
Drawn By:	
Approved By:	

Date:	3/14/00
Date:	
Date:	

Title / Description:	
SS1325 2,000 IN-LB RADIAL FORCE SPECIFICATIONS	
Dwg. Size:	A
Dwg. Type:	SPEC
Page 1 of 1	

Part No.	SS1325-2,000 IN-LB
File Name	11565SP.FCD
Doc. No.	11565