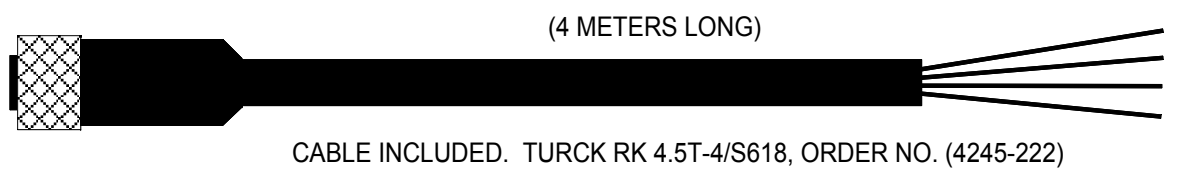
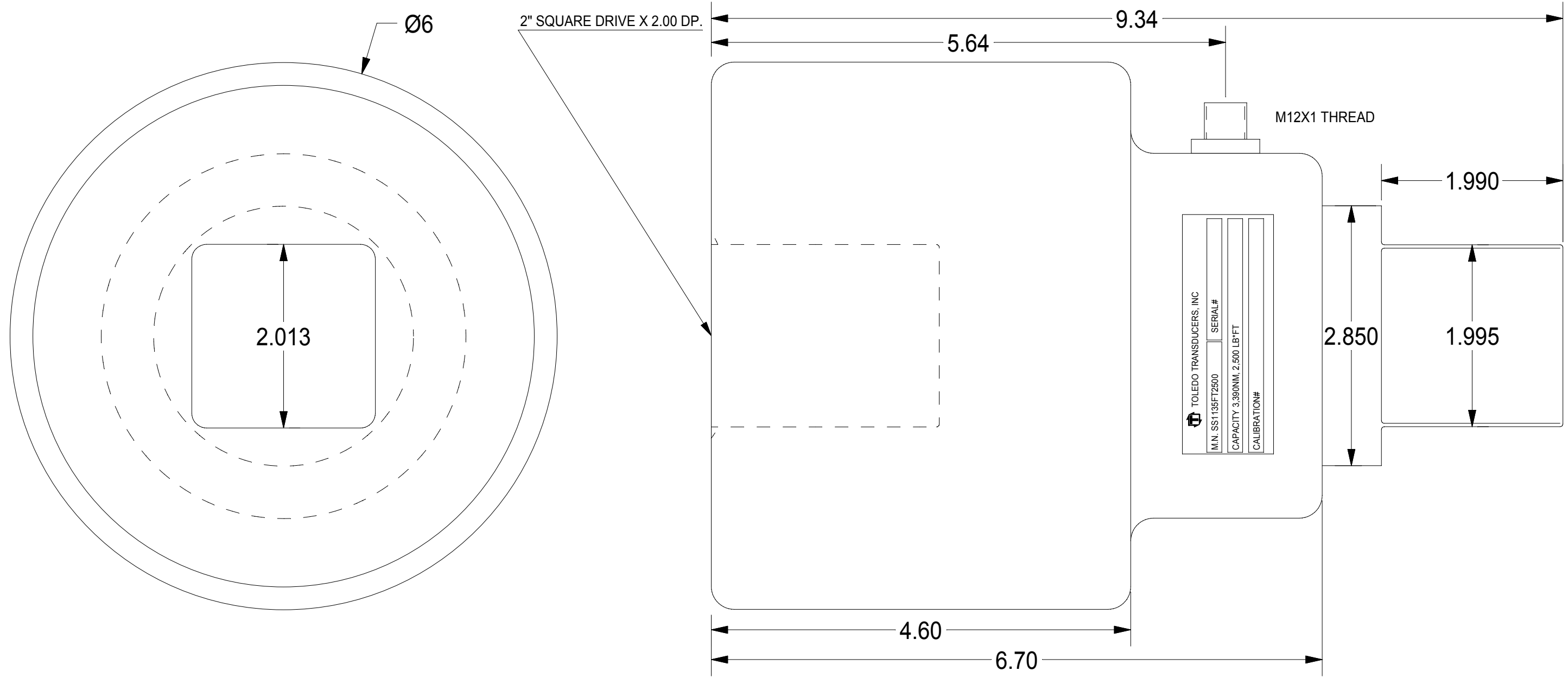


REV	DATE	DESCRIPTION	ECO	SIGN
1	10/04/07	RELEASE TO PILOT		



SPECIFICATIONS:

RATED CAPACITY	3,390 NM, 2,500 Lb-FT
RATED OUTPUT	2 mV/V typical
COMBINED ERROR	± 0.25% F.S.
NON-REPEATABILITY	0.01 %
ZERO BALANCE	± 10 %
TEMPERATURE RANGE, COMPENSATED	+60 TO 160° F
TEMPERATURE EFFECT, OUTPUT	0.001 % of Load / ° F
TEMPERATURE EFFECT, ZERO BALANCE	Not rated
INPUT IMPEDANCE, OUTPUT IMPEDANCE	350 OHMS, typical
EXCITATION VOLTAGE (typical)	10 VDC or VAC rms
EXCITATION VOLTAGE, MAXIMUM	15 VDC or VAC rms
INSULATION RESISTANCE	5,000 MEG OHMS @ 50 VDC
MAXIMUM LOAD, SAFE	150 % F.S.
MAXIMUM LOAD, ULTIMATE	200 % F.S.
CONSTRUCTION	STAINLESS STEEL COVER, ALLOY STEEL ELEMENT

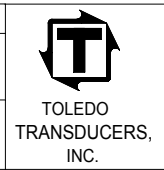
PIN NO.	WIRE COLOR CODE:	CABLE COLOR
1	+EXCITATION	BROWN
2	-SIGNAL	WHITE
3	-EXCITATION	BLUE
4	+ SIGNAL	BLACK

12mm EUROSTYLE
(REAR RECEPTACLE SIDE)

GREEN + EXC. (CABLE BROWN)	(1)	(2)	RED - SIG. (CABLE WHITE)
(CABLE BLACK)	(4)	(3)	(CABLE BLUE) BLACK - EXC.

TOLERANCES UNLESS OTHERWISE SPECIFIED:
 .XXX = ± 0.005
 .XX = ± 0.015
 .X = ± 0.025

SCALE: FULL



Designed By: **Mettert**
 Date: **1/6/97**
 Drawn By:
 Date:
 Approved By:
 Date:

Title / Description:
**3,390 NM, 2,500 LB-FT
 TORQUE TRANSDUCER**
 Dwg. Size: **A** Dwg. Type: **SPEC**
 Page 1 of 1

Part No. **SS1135F2500**
 File Name **16319**
 Doc. No. **16319**