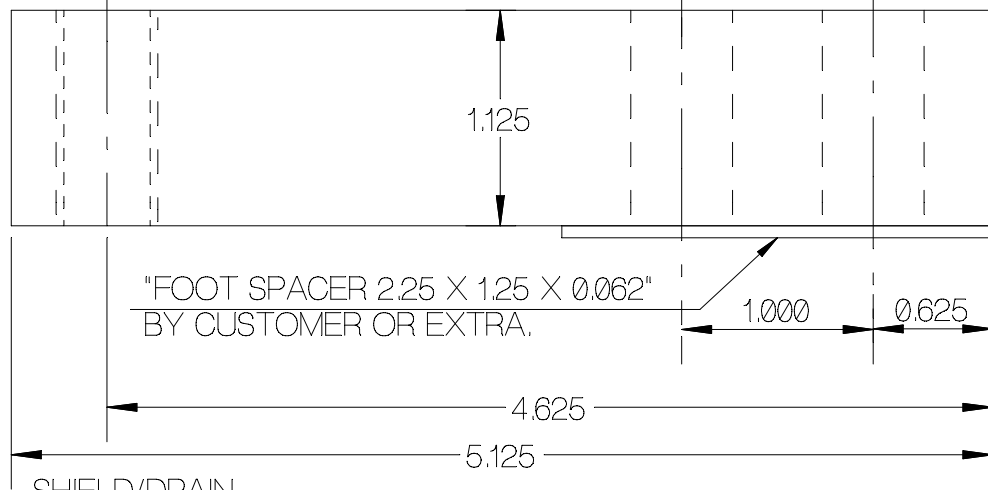


0.531 DIA. THRU (2) PLCS.  
90° CTR. SINK TO 0.55 DIA. (6) PLCS.



Rated Capacity	5,000 LBS
Rate Output, typical	3 mV/V
Combined Error, Non-Linearity 0.03%, Hysteresis, 0.02%*	
Non-repeatability	0.01 %
Creep, 30 minutes	0.05 %
Zero Balance	± 10 %
Temperature Range, Compensated	+ 14 to + 104° F
Temperature Effect, Output	0.08 % of load / 100° F
Temperature Effect, Zero Balance	0.18% / 100° F
Input Impedance	410 Ohms ± 10 %
Output Impedance	350 Ohms ± 1 %
Insulation Resistance	5000 Megohms at 50 VDC
Maximum Load, Safe	150 %
Maximum Load, Ultimate	200 %
Deflection at Rated Capacity	0.01 inch
Construction	Alloy Steel, NI Plate
Cable length	15 feet

SHIELD/DRAIN  
RED + SIG.  
WHITE - SIG.  
GREEN + EXC.  
BLACK - EXC.

\* Combined effects of Non-linearity and Hysteresis: The maximum deviation from the straight line, drawn between the original no-load and Rated capacity, expressed as a percent of Rated Output and measured on increasing and decreasing load.

THIS DRAWING AND ALL INFORMATION THEREIN IS THE PROPERTY OF TOLEDO TRANSDUCERS INC., 6834 SPRING VALLEY DR. HOLLAND, OHIO 43528 AND IS CONFIDENTIAL. IT MUST NOT BE MADE PUBLIC OR COPIED. THIS DRAWING IS LOANED TO BE RETURNED UPON DEMAND AND SHALL NOT BE USED DIRECTLY OR INDIRECTLY IN ANY WAY DETRIMENTAL TO OUR INTERESTS. OUR PRIOR SPECIFIC APPROVAL IS REQUESTED FOR EXPOSURE OF THIS DRAWING TO OTHERS FOR ANY PURPOSE.

Approved By \_\_\_\_\_  
Date \_\_\_\_\_

TOL: .XXX = + .005  
.XX = + .015  
.X = + .025  
ALLOY STEEL, NI PLATE

TOLEDO TRANSDUCERS, INC.  
6834 Spring Valley Dr.  
Holland, Ohio 43528  
P.O. BOX 10  
Holland, Ohio 43528  
PH (419) 867-4170  
FAX (419) 867-4180

Dwg #, Size A  
17025  
Scale: FULL  
Date 5/18/94

Title  
SS6300-5KLB  
3 mV/V  
By B.K.M.  
File Name 6300-5K