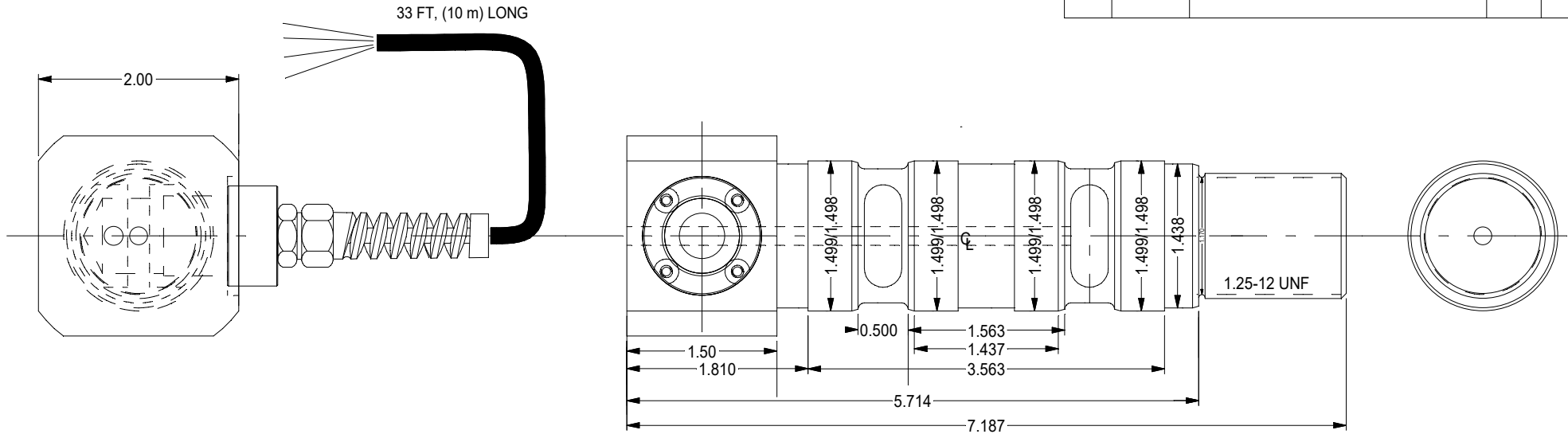


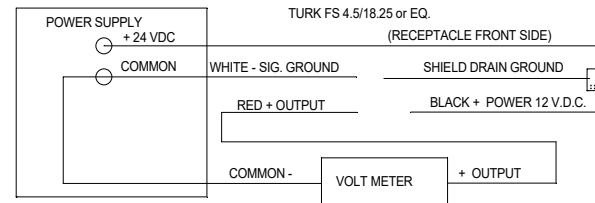
REV	DATE	DESCRIPTION	ECO	SIGN
1	6/21/21	PILOT		BKM



SPECIFICATIONS:

RATED CAPACITY	20,000 POUNDS
MODE OF OPERATION	ONE DIRECTION
OUTPUT AT NO-LOAD	4 mA
OUTPUT AT FULL SCALE TENSION	20 mA
OUTPUT AT FULL SCALE COMPRESSION	4 mA
EXCITATION	24 VDC
COMPENSATED TEMPERATURE RANGE	20°F TO 150°F
TEMPERATURE EFFECT ON ZERO	0.008% FSO/°F
TEMPERATURE EFFECT ON SPAN	0.005% READING /°F
NON-REPEATABILITY	0.1% FSO
MATERIAL	17-4 PH STAINLESS STEEL
MAXIMUM LOAD, SAFE	200 % F.S.
MAXIMUM LOAD, ULTIMATE	400 % F.S.

ICA4 S SOURCE MODE WIRING



WIRE COLOR CODE:

NO CONNECTION	BROWN / GREEN
- OUTPUT AND POWER SUPPLY COMMON	WHITE
+ OUTPUT	BLUE / RED
+ 24 V.D.C.	BLACK

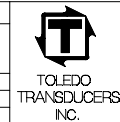
CABLE SHIELD GROUNDED AT INSTRUMENT END AND LOAD CELL END

TOLERANCES UNLESS OTHERWISE SPECIFIED:

XXX = ± 0.005
 XX = ± 0.015
 X = ± 0.025

SCALE: FULL

FINISH: 32 MICRO INCH OR LESS
 MAT'L: 17-4PH STAINLESS STEEL
 HARDNESS: H300, Rc 40-46



Designed By: Mettert

Date: 6/21/21

Drawn By:

Date:

Approved By:

Date:

Title / Description:
 SS1819mA20KLB
 CLEVIS PIN LOAD CELL
 SPECIFICATIONS

Dwg. Size: B
 Dwg. Type: SPEC

Page 1 of 1

Part No. SS1819mA20K

File Name 18395

Doc. No. 18395