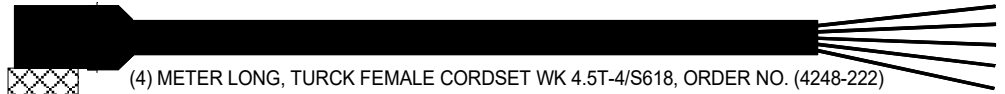


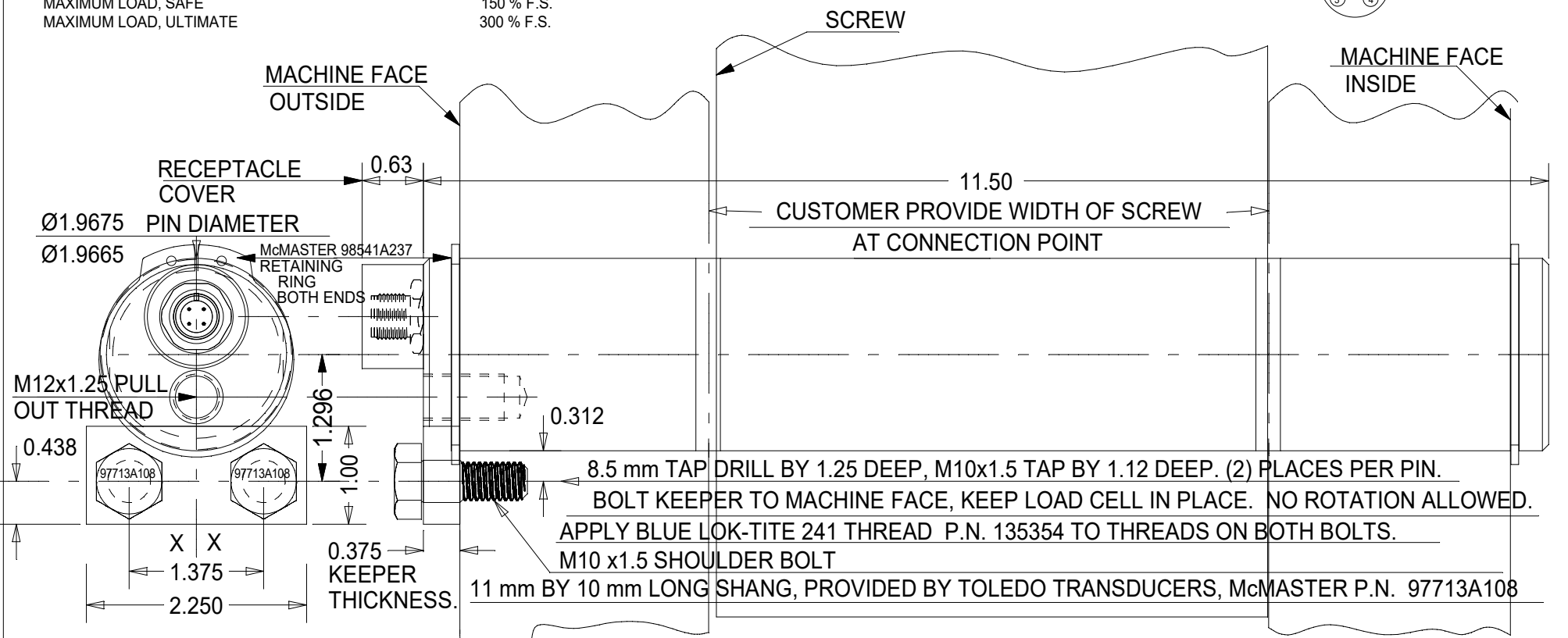
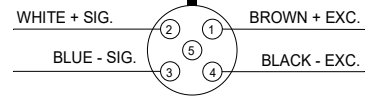
REV	DATE	DESCRIPTION	ECO	SIGN
1	2/25/21	PROPOSAL APPROVAL		BKM

**SPECIFICATIONS:**

RATED CAPACITY	100,000 POUNDS
RATED OUTPUT, (MATCHED OUTPUT WITHIN 0.02)	2.00 mV/V
COMBINED ERROR, (average)	<0.5 %
NON-REPEATABILITY	0.1 %
ZERO BALANCE	± 10 %
TEMPERATURE RANGE, COMPENSATED	50 TO 150° F
TEMPERATURE EFFECT, OUTPUT	0.015 % / ° F
TEMPERATURE EFFECT, ZERO BALANCE	0.25% / R.O. / 100 DEG. F.
INPUT / OUTPUT IMPEDANCE	350 OHMS, typical
EXCITATION VOLTAGE (typical)	10 VDC or VAC rms
EXCITATION VOLTAGE, MAXIMUM	15 VDC or VAC rms
INSULATION RESISTANCE	5,000 MEG OHMS @ 50 VDC
MAXIMUM LOAD, SAFE	150 % F.S.
MAXIMUM LOAD, ULTIMATE	300 % F.S.



TURCK FS 4.5/18.25  
(FRONT RECEPTACLE SIDE)



TOLERANCES UNLESS OTHERWISE SPECIFIED:  
 XXX = ± 0.005  
 XX = ± 0.015  
 X = ± 0.025  
 FINISH: 32 MICRO INCH OR LESS  
 MAT'L: TOOL STEEL  
 HARDNESS: Rc 40-46



Designed By: Mettert  
 Date: 2/25/21  
 Drawn By:  
 Date:  
 Approved By:  
 Date:

Title / Description:  
 SS1814-100KLB CLEVIS PIN LOAD CELL SPECIFICATIONS & INSTALLATION ILLUSTRATION  
 Dwg Size: B  
 Dwg Type: FAB  
 Page 1 of 1

Part No. SS1814-100KLB  
 File Name 18344  
 Doc. No. 18344