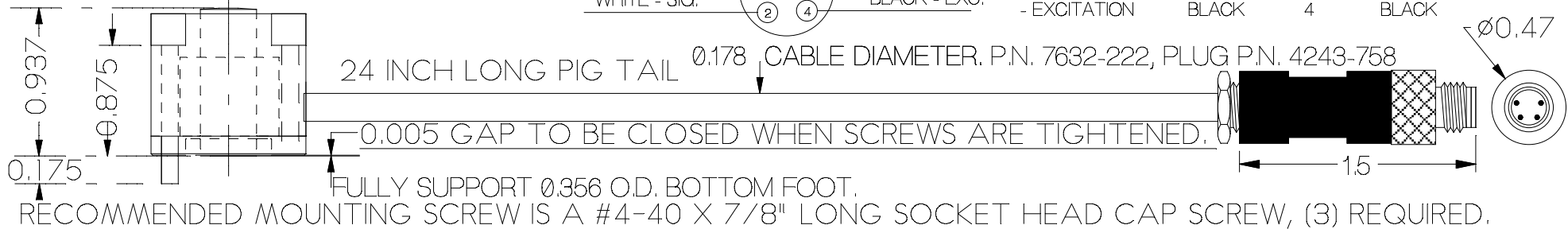
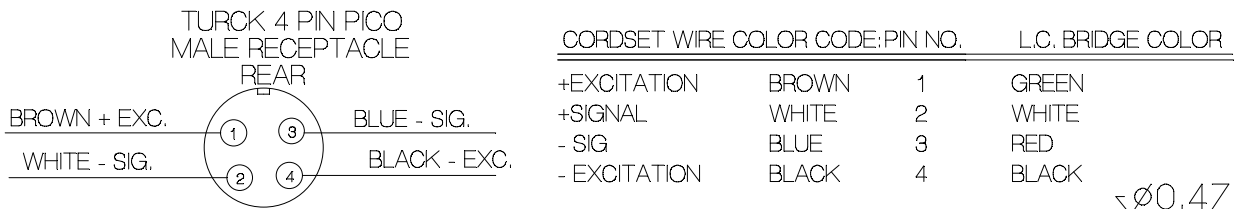
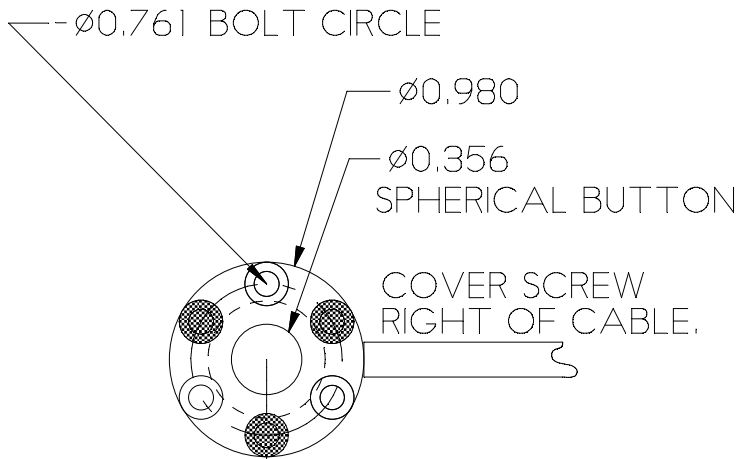


REV	DATE	DESCRIPTION	ECO	SIGN
1	10/15/19	RELEASE TO PILOT		BKM
2	10/29/20	UPDATED TEMP EFFECTS AND DEFLECTION TO INCLUDE METRIC		BKM

NOTE: FOR BEST RESULTS;  
 USE (3) 4-40 X 0.875 LONG S.H.C.S.  
 TO BOLT LOAD CELL IN PLACE.  
 THIS PRE-LOADS RAISED BOTTOM FOOT.  
 (3) 7/32 CTR. BORE X 0.20 DP.  
 EQ. SPACED ON A

SPECIFICATIONS:

RATED CAPACITY, FATIGUE RATED FOR INFINITE LIFE	5kN-10kN-20kN
RATED OUTPUT	2 mV/V typical
NON-LINEARITY, (AVERAGE OF GROUP)	± 0.03
HYSTERESIS	<0.02
NON-REPEATABILITY	< 0.01 %
ZERO BALANCE	± 3 %
TEMPERATURE RANGE, COMPENSATED	-65 TO 200° F (-85 TO 93 ° C)
TEMPERATURE EFFECT, OUTPUT	0.005 % of Load / ° F (0.002 % of load / ° C)
TEMPERATURE EFFECT, ZERO BALANCE, (ESTIMATE 0.005 % / ° F)	Not tested (ESTIMATE 0.002 % / ° C) Not tested
INPUT IMPEDANCE	350 OHMS, typical
OUTPUT IMPEDANCE	350 OHMS, typical
EXCITATION VOLTAGE (typical)	10 VDC or VAC rms
EXCITATION VOLTAGE, MAXIMUM	15 VDC or VAC rms
INSULATION RESISTANCE	5,000 MEG OHMS @ 50 VDC
MAXIMUM LOAD, SAFE	150 % F.S.
MAXIMUM LOAD, ULTIMATE	200 % F.S.
DEFLECTION AT RATED CAPACITY, APPROXIMATE	0.002 in. (0.051 mm)
DEFLECTION IS PROPORTIONAL TO NON-LINEARTIY	
CONSTRUCTION	STAINLESS STEEL ELEMENT, STAINLESS STEEL COVER



TOLERANCES UNLESS OTHERWISE SPECIFIED: .XXX = ± 0.005 .XX = ± 0.015 .X = ± 0.025 SCALE: FULL	TOLEDO TRANSDUCERS INC.	Designed By: Mettert	Date: 10/15/19	Title / Description: SS1790-5kN-10kN-20kN LOAD CELL BUTTON SPECIFICATIONS	Part No. SS1790-5kN-20kN
		Drawn By:	Date:		File Name 18152
		Approved By:	Date:	Dwg. Size: A Dwg. Type: SPEC	Doc. No. 18152