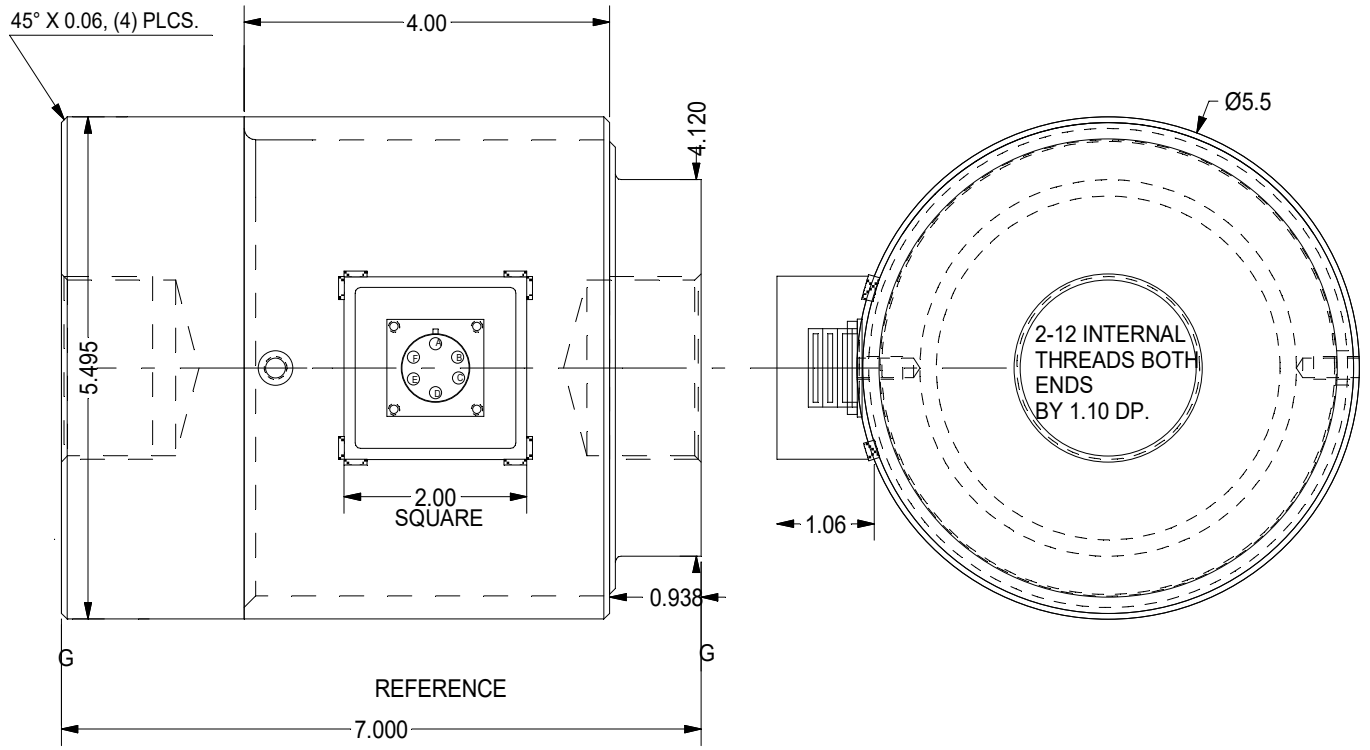
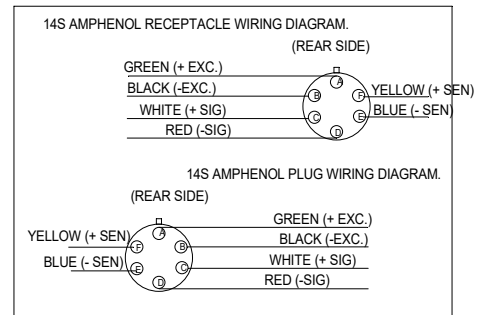
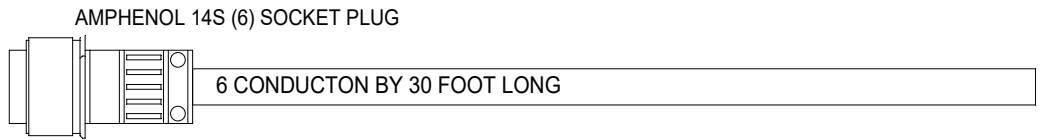


REV	DATE	DESCRIPTION	ECO	SIGN
1	4/5/2019	PILOT		BKM
2	8/6/2021	UPDATED FOR PRODUCTION		BKM



SPECIFICATIONS:

Rated Capacity, (COMPRESSION)	500,000 pounds, 250 U.S. TONS
Rated Output, typical	2 mV/V
Non-repeatability	0.05 % F.S.
Combined error	0.1 % F.S.
Creep 30 minutes	0.1 % F.S.
Zero Balance	1 % R.O.
Temperature Range, Compensated	50 F to 150 F
Temperature Effect, Output	0.0008 % of load / F
Temperature Effects, Zero Balance	NOT RATED
Bridge Impedance, Typical	1,000 ohms
Excitation Voltage, Typical	10 VDC or VAC rms
Excitation Voltage, Maximum	15 VDC or VAC rms
Insulation Resistance	> 5,000 megohms at 50 VDC
Overload, Safe	150 % over capacity
Overload, Ultimate	200 % over capacity
WEIGHT	36 pounds
Deflection at Rated Capacity, Approximate	0.005 inch
Construction	Alloy Steel
Certified Calibration	ISO/IEC 17025, ANSI Z540



TOLERANCES UNLESS OTHERWISE SPECIFIED:
 .XXX = 0.005
 .XX = 0.015
 .X = 0.025
 SCALE: FULL
 FINISH: 32 MICRO INCH OR LESS
 MAT'L: A2 TOOL STEEL
 HARDNESS: Rc 40-46



Designed By: **Mettert**
 Drawn By:
 Approved By:

Date: **4/5/2019**
 Date:
 Date:

Title / Description:
**SS1776-250 TON
 SPECIFICATIONS**
 Dwg. Size: **C** Dwg. Type: **SPEC**
 Page 1 of 1

Part No. **SS1776-500KLB (250 TONS)**
 File Name **18045**
 Doc. No. **18045**