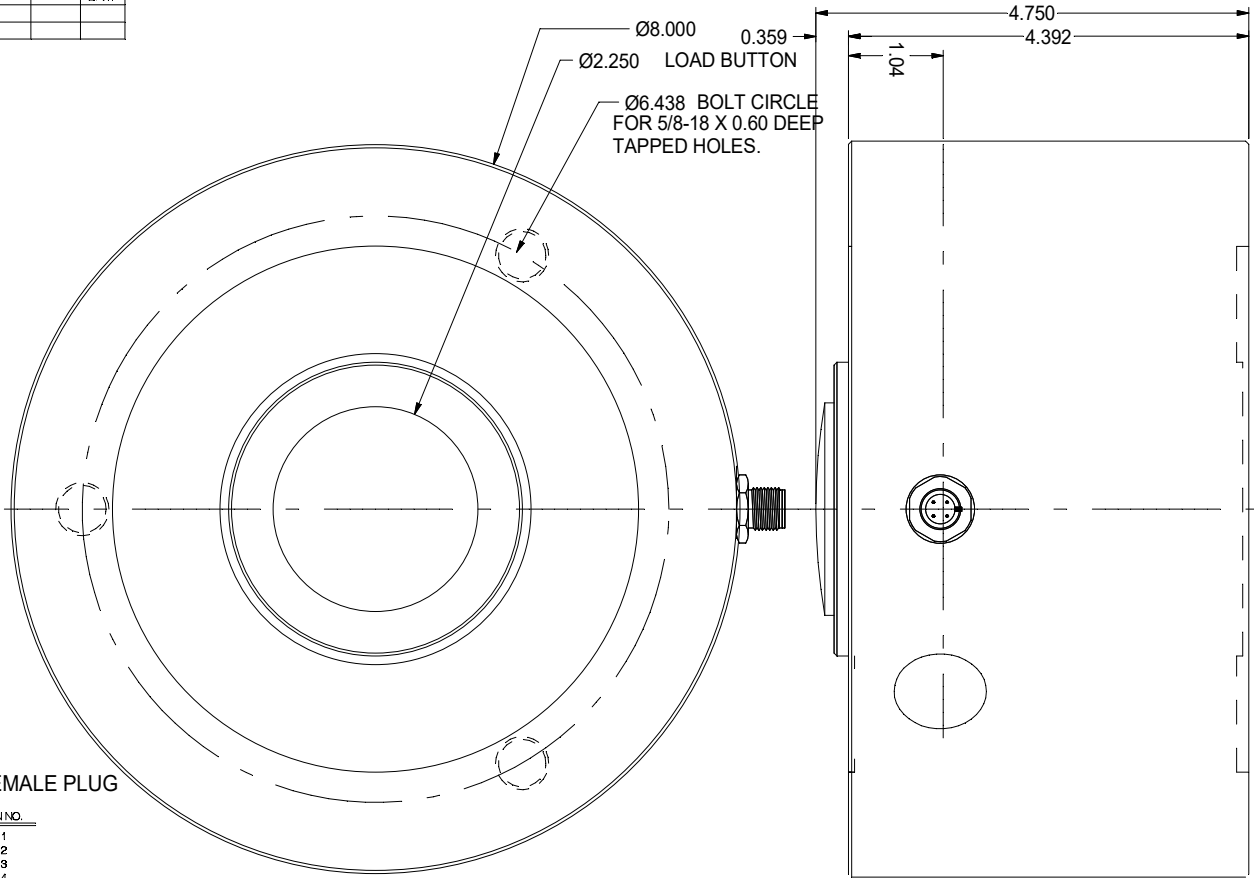


REV	DATE	DESCRIPTION	ECO	SIGN
1	8/6/19	RELEASE TO PILOT		BKM

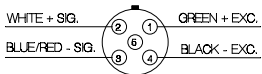
SPECIFICATIONS:

Rated Capacity, (COMPRESSION)	200,000 pounds
Rated Output, typical	2 mV/V
Combined error	0.15 % F.S.
Non-repeatability	0.01 % F.S.
Zero Balance	1 % R.O.
Temperature Range, Compensated	50 F to 120 F
Temperature Effect, Output	0.0008 % of load / F
Temperature Effects, Zero Balance	0.002 % / R.O. / F
Bridge Impedance, Typical	700 ohms
Excitation Voltage, Typical	10 VDC or VAC rms
Excitation Voltage, Maximum	15 VDC or VAC rms
Insulation Resistance	> 5,000 megohms at 50 VDC
Overload, Safe	200 % over capacity
Overload, Ultimate	300 % over capacity
Deflection at Rated Capacity, Approximate	0.003 inch
Construction	Tool Steel



FEMALE RECEPTACLE OR FEMALE PLUG

(FRONT RECEPTACLE SIDE)



WIRE COLOR CODE:	T.T.L. STD.	PIN NO.	
+EXCITATION	BROWN	GREEN	1
+SIGNAL	WHITE	WHITE	2
-SIG	BLUE	RED	3
-EXCITATION	BLACK	BLACK	4
OPEN			5



TURCK FEMALE CORDSET RK 4.5T-154/S618, ORDER NO. (4245-222)

TOLERANCES UNLESS OTHERWISE SPECIFIED:	
XXX = ± 0.005	SCALE: FULL
XX = ± 0.015	
X = ± 0.025	
FINISH: ± 32 MICRO INCH OR AS NOTED	
MATERIAL: A2 TOOL STEEL	
HARDNESS: Rc 40-46	



Designed By:	Metter:	Date:	8/6/19
Drawn By:		Date:	
Approved By:		Date:	

Title / Description:	SS1772-100KLB-ICA BUTTON LOAD CELL SPECIFICATIONS
Dwg Size:	B
Dwg. Type:	SPEC
Page 1 of 1	

Part No.	SS1772-200KLB-ICA
File Name:	18111
Doc. No.	18111