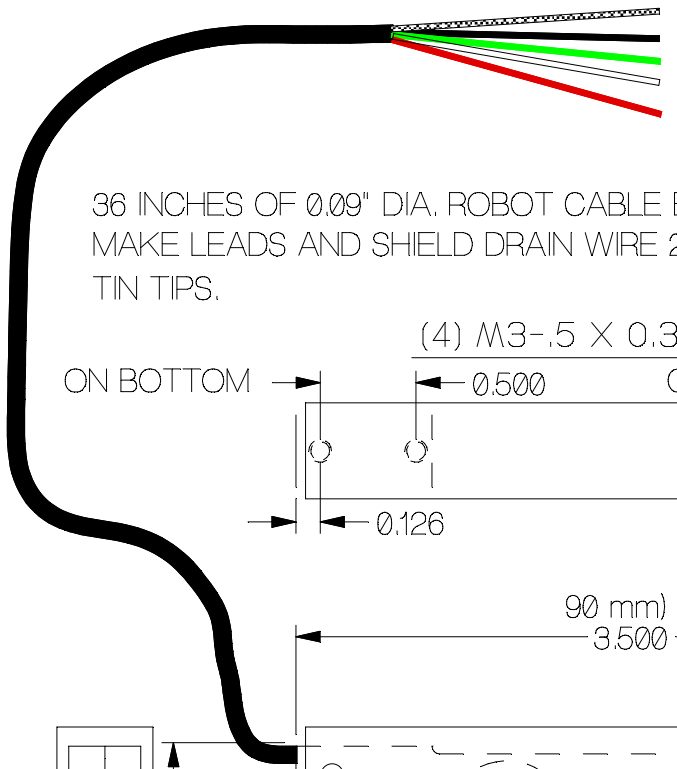


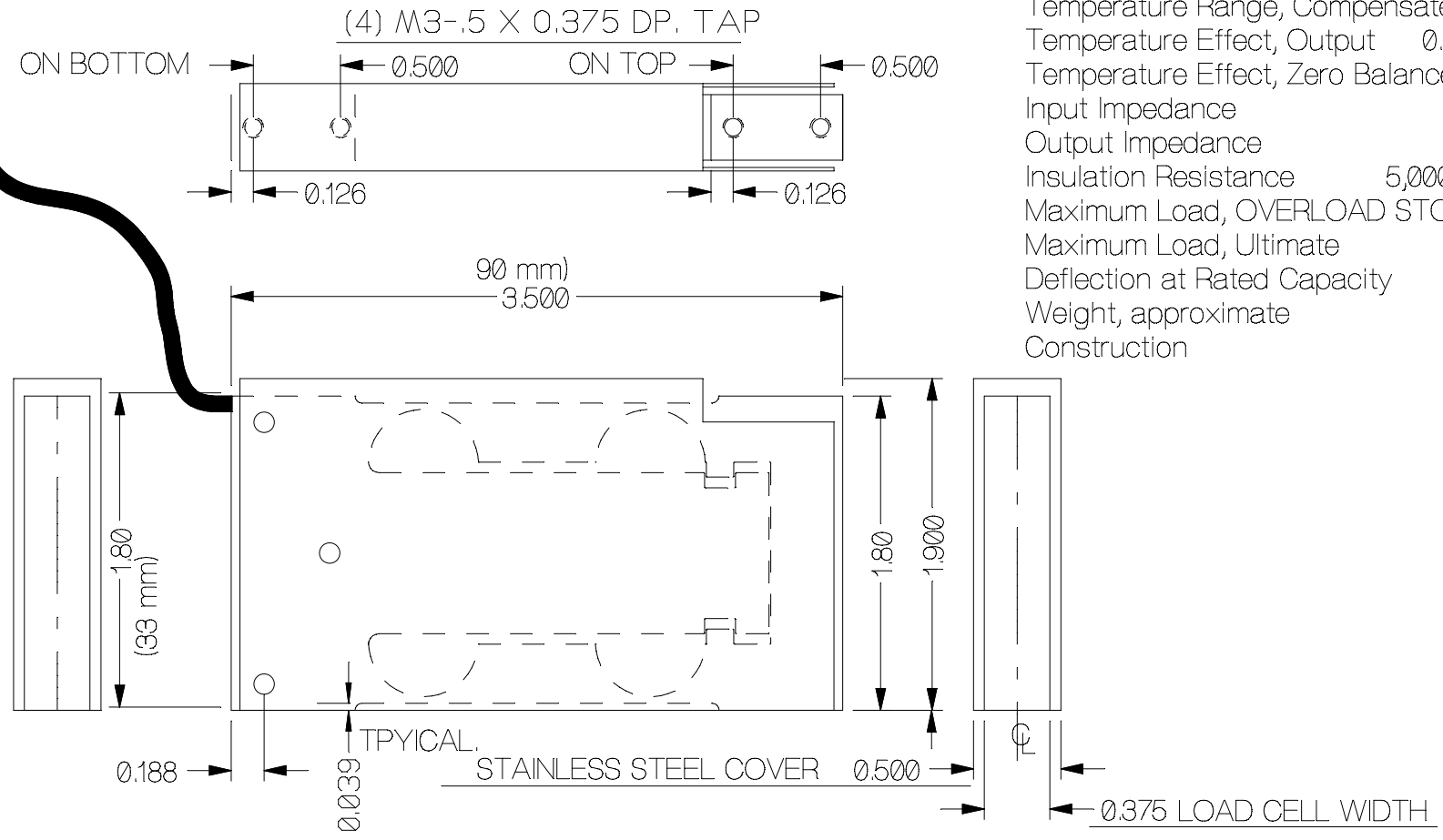
REV	DATE	DESCRIPTION	ECO	SIGN
1	2/12/19	RELEASE TO PILOT		BKM


COLOR CODE:
 SHIELD/DRAIN
 RED + SIG.
 WHITE - SIG.
 GREEN + EXC.
 BLACK - EXC.



36 INCHES OF 0.09" DIA. ROBOT CABLE EXTENDING FROM LOAD CELL
 MAKE LEADS AND SHIELD DRAIN WIRE 2" LONG.
 TIN TIPS.

Rated Capacity	25 LB
Rate Output, typical	2 mV/V
Combined Error	<0.03 %
Non-repeatability	0.01 %
Creep, 10 minutes	0.05 %
Zero Balance	± 10 %
Temperature Range, Compensated	+ 14° to + 104° F
Temperature Effect, Output	0.05 % of load / 100° F
Temperature Effect, Zero Balance	0.15% / 100° F
Input Impedance	410 Ohms
Output Impedance	350 Ohms
Insulation Resistance	5,000 Megohms at 50 VDC
Maximum Load, OVERLOAD STOPS ENGAGE AT 110%	
Maximum Load, Ultimate	100 LB
Deflection at Rated Capacity	0.055 inch
Weight, approximate	1/2 pound
Construction	Aluminum



 TOLEDO TRANSDUCERS, INC.	Designed By: Mettert	Date: 2/12/19	Title / Description: SS1771R25LB PLATFORM LOAD CELL SPECIFICATIONS ROBOT CABLE		Part No. SS1771R25LB
	Drawn By:	Date:			File Name 18024R25LB
	Approved By:	Date:	Dwg. Size: A	Dwg. Type: SPEC	Doc. No. 18024R25LB