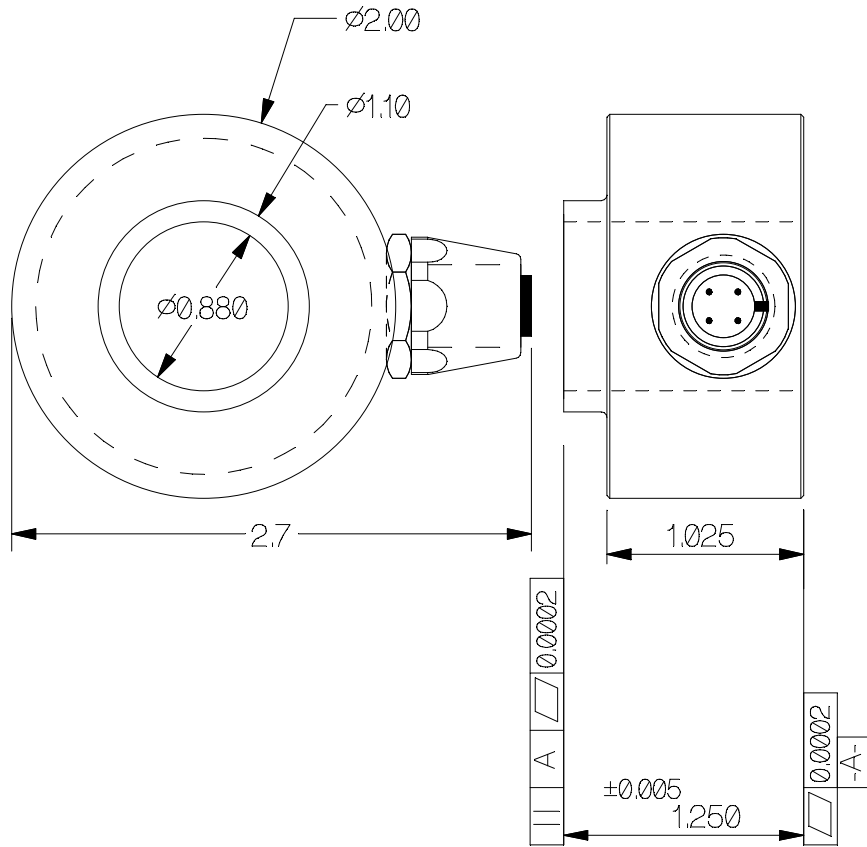


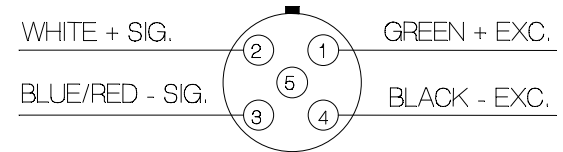
REV	DATE	DESCRIPTION	ECO	SIGN
1	4/26/18	RELEASE TO PILOT		BKM



WIRE COLOR CODE:	T.T.I. STD.	PIN NO.
+EXCITATION	BROWN GREEN	1
+SIGNAL	WHITE WHITE	2
- SIG	BLUE RED	3
- EXCITATION	BLACK BLACK	4
OPEN		5

TURCK FS 4.5/18.25

M12 (FRONT RECEPTACLE SIDE)



SPECIFICATIONS:

RATED CAPACITY	3K, 5K, 10K, 15KLBf
RATED OUTPUT	2 mV/V typical
COMBINED ERROR	<=1 %
NON-REPEATABILITY	0.05 %
ZERO BALANCE	± 1 %
TEMPERATURE RANGE, COMPENSATED	+14° TO 104° F
TEMPERATURE EFFECT, OUTPUT	0.014 % / ° F
TEMPERATURE EFFECT, ZERO BALANCE	0.05 % / ° F
INPUT IMPEDANCE	350 OHMS, typical
EXCITATION VOLTAGE (typical)	10 VDC or VAC rms
EXCITATION VOLTAGE, MAXIMUM	15 VDC or VAC rms
INSULATION RESISTANCE	5,000 MEG OHMS @ 50 VDC
MAXIMUM LOAD, SAFE	150 % F.S.
MAXIMUM LOAD, ULTIMATE	300 % F.S.

TOLERANCES UNLESS OTHERWISE SPECIFIED:

XXX = ± 0.005

XX = ± 0.015

X = ± 0.025

SCALE: FULL

FINISH: NO MACHINE MARKS

MAT'L: ALLOY TOOL STEEL

HARDNESS:



TOLEDO
TRANSducers,
INC.

Designed By: Mettert

Date: 4/26/18

Drawn By:

Date:

Approved By:

Date:

Title / Description:
3K,5K,10K,15KLB DOUGHNUT
LOAD CELL SPECS.

Dwg.Size: A
Dwg. Type: SPECS

Page 1 of 1

Part No. SS1758-3K, 5K, 10K, 15KLB

File Name 17930

Doc. No. 17930