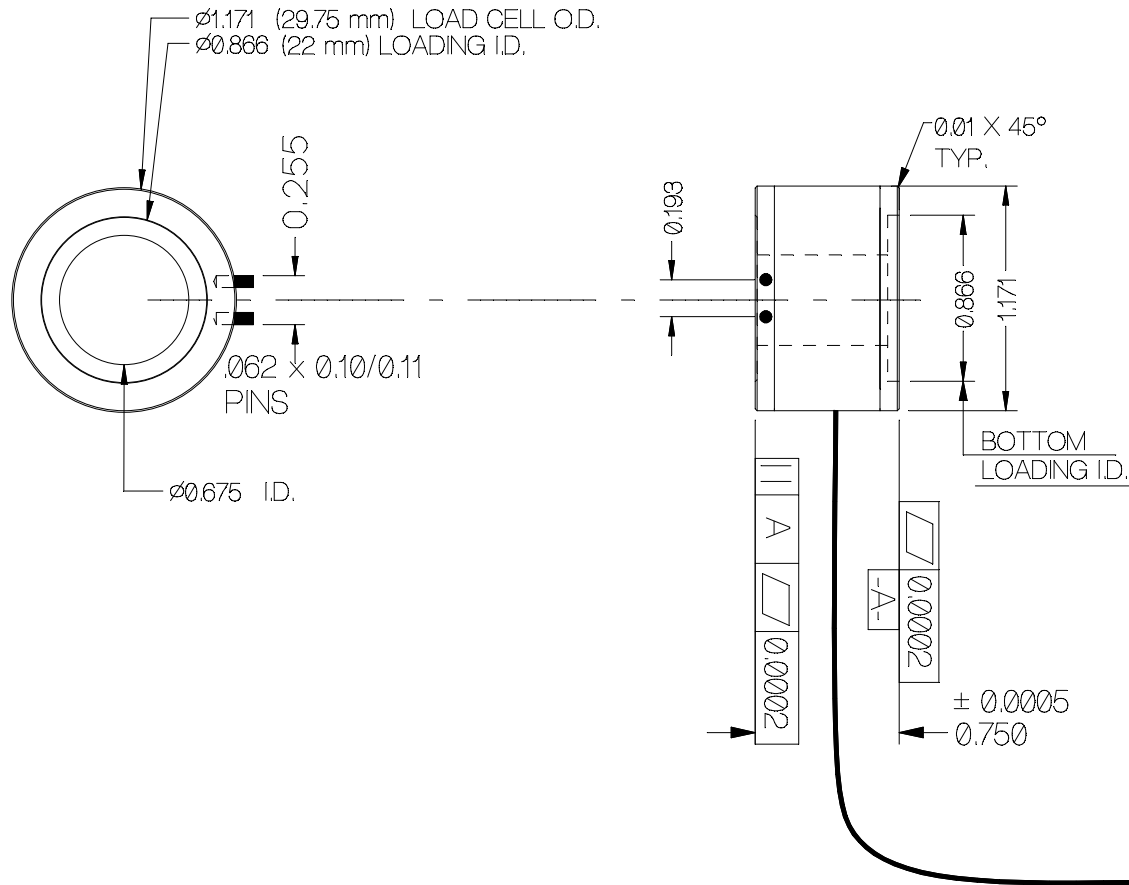


REV	DATE	DESCRIPTION	ECO	SIGN
1	10/17/17	RELEASE TO PILOT		BKM



**SPECIFICATIONS:**

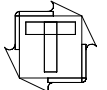
Rated Capacity	1,000 pounds, (4,448 N)
Rated Output, typical, + output compression	1 mV/V
Combined error	0.5 % F.S.
Non-repeatability	0.05 % F.S.
Zero Balance	1 % R.O.
Temperature Range, Compensated	60 ° F to 160 ° F
Temperature Effects, Output	0.015 % / ° F
Bridge Impedance, Typical	350 ohms
Excitation Voltage, Typical	10 VDC or VAC rms
Shunt Cal Resistor	59K ohms
Insulation Resistance	> 5,000 megohms at 50 VDC
Overload, Continuous	1,700 pounds
Overload, Ultimate	2,550 pounds
Construction	Alloy Steel

**Cable color code:**

Green	+ Excitation
Black	- Excitation
White	+ Signal
Red	- Signal
Shield touches ground	

0.02" Diameter conductor, 8 inch long.

NOTE: LOAD CELL WILL BE CALIBRATED AT 850 POUND, WITH FIVE EVENLY DISTRIBUTED POINTS.

TOLERANCES UNLESS OTHERWISE SPECIFIED: 0.XXX = $\pm 0.005$ 0.XX = $\pm 0.015$ 0.X = $\pm 0.025$	SCALE: FULL	 TOLEDO TRANSDUCERS, INC.	Designed By: Mettert	Date: 10/17/17	Title / Description: SS1747-1,000LB DOUGHNUT LOAD CELL SPECIFICATIONS		Part No. SS1747-1,000LB
			Drawn By:	Date:	Dwg. Size: Dwg. Type: A SPEC		File Name 17845
FINISH: 32 MICRO INCH OR LESS MAT'L: Alloy Steel HARDNESS: Rc 40			Approved By:	Date:	Page 1 of 1	Doc. No. 17845	