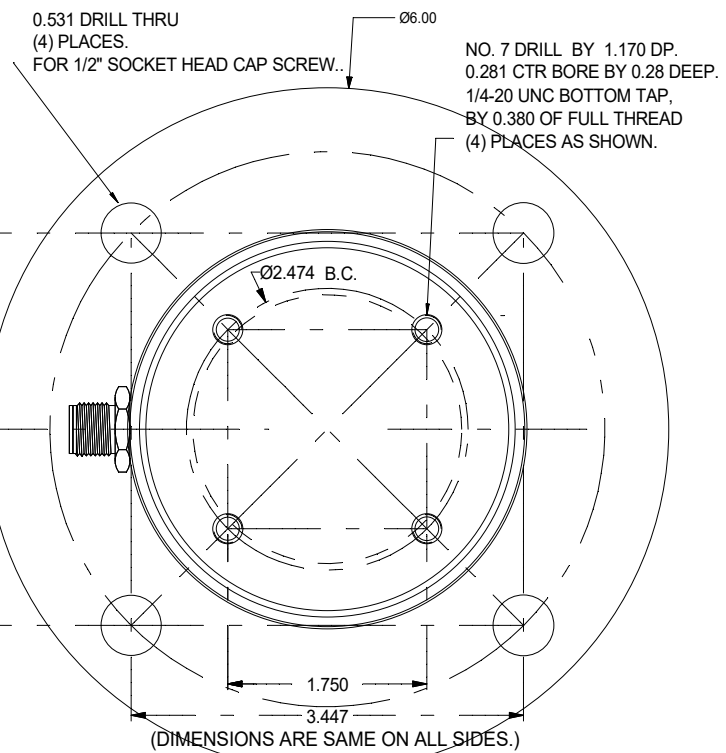
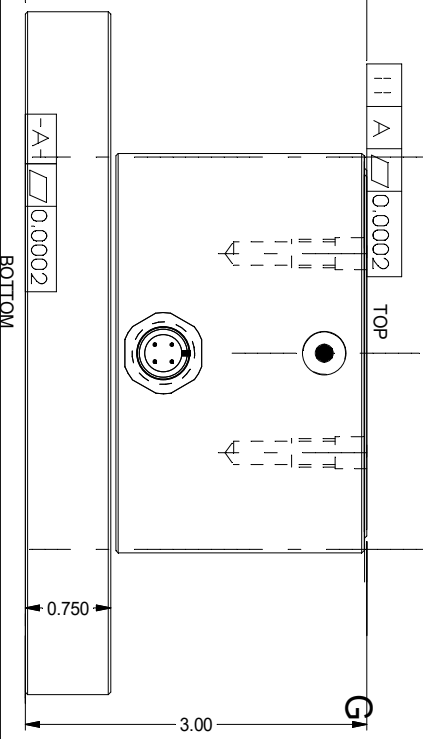


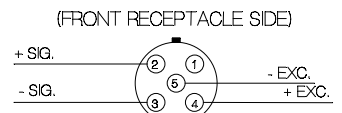
REV	DATE	DESCRIPTION	ECO	SIGN
1	12/08/15	RELEASE TO PILOT		BKM
2	10/22/2019	CHANGED BASE TO ROUND, RECEPTACLE IN COVER		BKM

Ø.531 DRILL THRU
(4) PLACES.
1/2 SOCKET HEAD CAP SCREW..
GROUND IN SETS OF FOUR TO MATCH.
3.0000+0.0005-0.0000
(RE-GRIND AS NEEDED TO MATCH.)



SPECIFICATIONS:

Rated Capacity, compression	200 KLBf
Rated Output, typical	2 mV/V
Combined error	0.25 % F.S.
Non-repeatability	0.05 % F.S.
Zero Balance	1 % R.O.
Temperature Range, Compensated	50° F to 120° F
Temperature Effect, Output	0.015 % of load / ° F
Bridge Impedance, Typical	700 ohms
Excitation Voltage, Typical	10 VDC or VAC rms
Excitation Voltage, Maximum	15 VDC or VAC rms
Insulation Resistance	> 5,000 megohms at 50 VDC
Overload, Safe	150 TONS
Overload, Ultimate	200 TONS
Deflection at Rated Capacity	0.0003 inch
Construction	Tool Steel




TURCK FS 4.5.
CABLE IS INTERCHANGEABLE WITH FSD 4.5

WIRE CODE:	TURCK COLOR	T.T.I. COLOR	PIN NO.
+SIGNAL	WHITE		1
-SIGNAL	BLUE		2
+EXCITATION	BROWN		3
-EXCITATION	BLACK		4
Shield			5

< 1 OHM at cell



TURCK FEMALE CORDSET RK 4.5T-10/S618

TOLERANCES UNLESS OTHERWISE SPECIFIED: XXX = ± 0.005 XX = ± 0.015 X = ± 0.025	SCALE: FULL	 TOLEDO TRANSDUCERS, INC.	Designed By: Mettert Date: 12/08/15	Title / Description: SS1717-100TON LOAD CELL SPECIFICATIONS	Part No. SS1717-100TON
		Approved By:	Date:	Dwg Size: A Dwg. Type: SPEC Page 1 of 1	File Name 17663