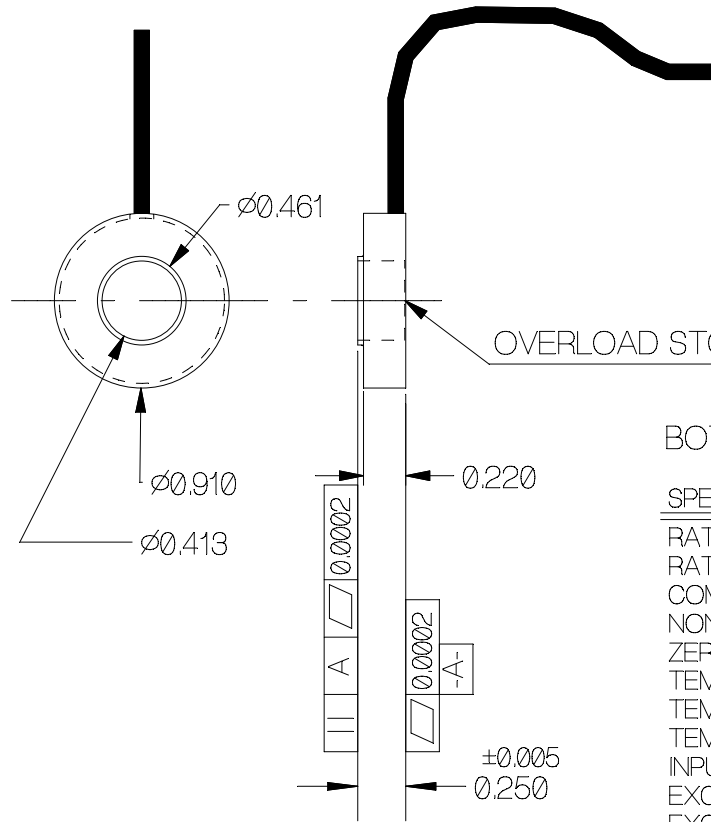


WIRE COLOR CODE:

+ EXCITATION GREEN  
 - EXCITATION BLACK  
 + SIGNAL WHITE  
 - SIGNAL RED  
 SHIELD 5K MEG OHM TO ELEMENT

REV	DATE	DESCRIPTION	ECO	SIGN

0.070 IN DIA. POLY SENSOR CABLE, XX FT LONG.



OVERLOAD STOP, STARTS TO ENGAGE AT 150% RATED CAPACITY.

BOTTOM VIEW

SPECIFICATIONS:

RATED CAPACITY	500 POUNDS
RATED OUTPUT	2 mV/V typical
COMBINED ERROR	1 %
NON-REPEATABILITY	0.05 %
ZERO BALANCE	± 1 %
TEMPERATURE RANGE, COMPENSATED	+14 TO 104° F
TEMPERATURE EFFECT, OUTPUT	0.014 % / ° F
TEMPERATURE EFFECT, ZERO BALANCE	0.05 % / ° F
INPUT IMPEDANCE	1,000 OHMS, typical
EXCITATION VOLTAGE (typical)	10 VDC or VAC rms
EXCITATION VOLTAGE, MAXIMUM	15 VDC or VAC rms
INSULATION RESISTANCE	5,000 MEG OHMS @ 50 VDC
MAXIMUM LOAD, SAFE	200 % F.S.
MAXIMUM LOAD, ULTIMATE WITH OVERLOAD STOPS ENGAGED	2,500 LBS

TOLERANCES UNLESS OTHERWISE SPECIFIED:

XXX = ± 0.005

XX = ± 0.015

X = ± 0.025

SCALE: FULL

FINISH: NO MACHINE MARKS

MAT'L: STAINLESS STEEL

HARDNESS: SPRING TEMPER



Designed By: Mettert

Date: 12/5/14

Title / Description:  
SS1706-500LB DOUGHNUT  
LOAD CELL SPECS.

Part No. SS1706-500LB

Drawn By:

Date:

File Name 17602

Approved By:

Date:

Dwg. Size: A  
Dwg. Type: SPEC

Page 1 of 1

Doc. No. 17602