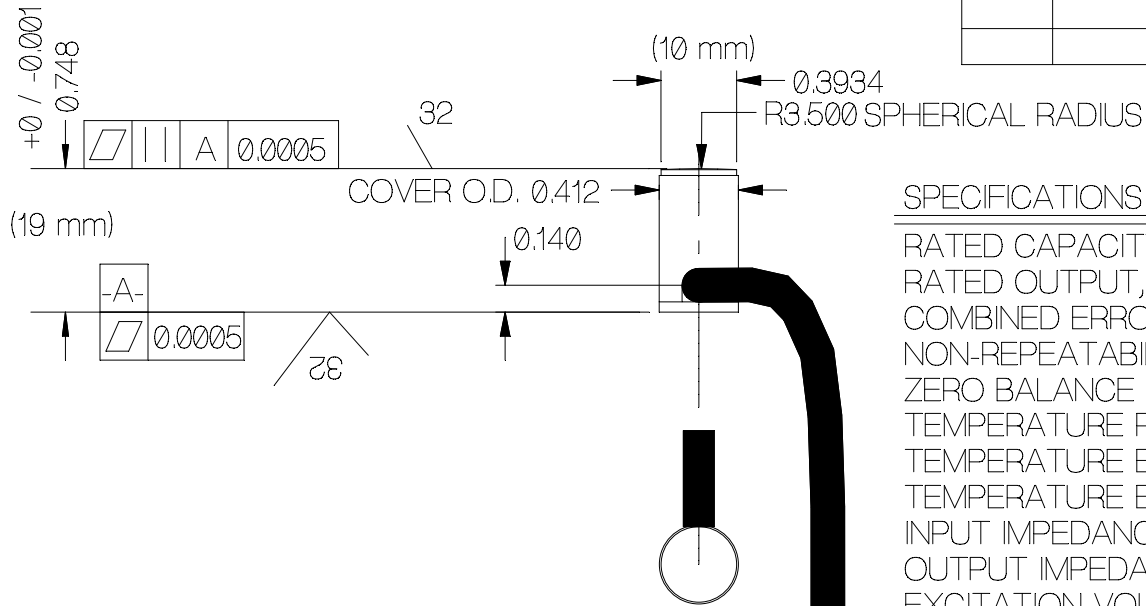
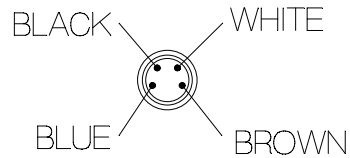


REV	DATE	DESCRIPTION	ECO	SIGN
1	3/5/13	PILOT		BKM



SPECIFICATIONS:

RATED CAPACITY	3KLB
RATED OUTPUT, matched	2.000 ± 0.01 mV/V
COMBINED ERROR	± 0.5 %
NON-REPEATABILITY	< 0.05 %
ZERO BALANCE	(0.000 to 0.050 mV/V) 0/+ 3 %
TEMPERATURE RANGE, COMPENSATED	+60 TO 160° F
TEMPERATURE EFFECT, OUTPUT	0.015 % of Load / ° F
TEMPERATURE EFFECT, ZERO BALANCE	Not rated
INPUT IMPEDANCE	1,000 OHMS, typical
OUTPUT IMPEDANCE	1,000 OHMS, typical
EXCITATION VOLTAGE (typical)	10 VDC or VAC rms
EXCITATION VOLTAGE, MAXIMUM	15 VDC or VAC rms
INSULATION RESISTANCE	5,000 MEG OHMS @ 50 VDC
MAXIMUM LOAD, SAFE	20kN
MAXIMUM LOAD, ULTIMATE	30kN
DEFLECTION AT RATED CAPACITY, APPROXIMATE	0.002 in.
CONSTRUCTION	ALLOY STEEL
COVER	STAINLESS STEEL



12 INCH LONG CABLE
CABLE DIA 0.161 IN.

MALE 4 PIN
M8 PLUG

WIRE COLOR CODE:	T.T.I. STD.	PIN NO.
+EXCITATION	BROWN GREEN	1
-SIGNAL	WHITE RED	2
-EXCITATION	BLUE BLACK	3
+ SIGNAL	BLACK WHITE	4

TOLERANCES UNLESS OTHERWISE SPECIFIED:

XXX = ± 0.005

XX = ± 0.015

X = ± 0.025

SCALE: FULL

FINISH: AS NOTED

MAT'L: ALLOY TOOL STEEL

HARDNESS: Rc 58-60



TOLEDO
TRANSDUCERS,
INC.

Designed By: METTERT

Date: 3/5/13

Drawn By:

Date:

Approved By:

Date:

Title / Description:

SS1689M8-3KLB
COMPRESSION LOAD CELL
SPECIFICATION

Dwg Size: A
Dwg. Type: SPEC

Page 1 of 1

Part No.

SS1689M8-3KLB

File Name

17441

Doc. No.

17441