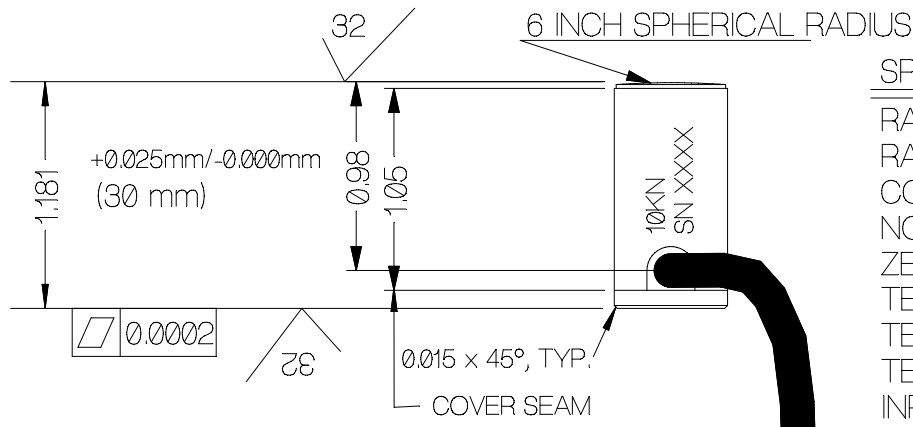
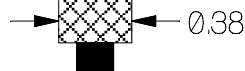
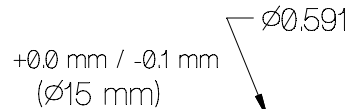
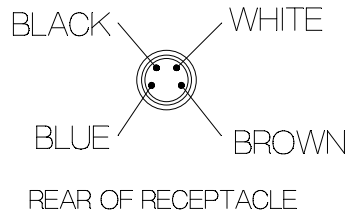


REV	DATE	DESCRIPTION	ECO	SIGN
1	1/10/14	PROPOSAL / PILOT		BKM



SPECIFICATIONS:

RATED CAPACITY	10kN
RATED OUTPUT, typical	2 mV/V
COMBINED ERROR	± 0.25 %
NON-REPEATABILITY	< 0.05 %
ZERO BALANCE	(0.000 to 0.050 mV/V) 0/+ 3 %
TEMPERATURE RANGE, COMPENSATED	+60 TO 160° F
TEMPERATURE EFFECT, OUTPUT	0.015 % of Load / ° F
TEMPERATURE EFFECT, ZERO BALANCE	Not rated
INPUT IMPEDANCE	1,000 OHMS, typical
OUTPUT IMPEDANCE	1,000 OHMS, typical
EXCITATION VOLTAGE (typical)	10 VDC or VAC rms
EXCITATION VOLTAGE, MAXIMUM	15 VDC or VAC rms
INSULATION RESISTANCE	5,000 MEG OHMS @ 50 VDC
MAXIMUM LOAD, SAFE	25kN
MAXIMUM LOAD, ULTIMATE	50kN
DEFLECTION AT RATED CAPACITY, APPROXIMATE	0.002 in.
CONSTRUCTION	ALLOY STEEL
COVER	STAINLESS STEEL



CABLE O.D. 0.17 IN, 0.2 METERS LONG

4 METERS LONG, TRIM TO FIT.

TURCK PKGM-4/S90/S618, ORDER NO. (4247-222)

WIRE COLOR CODE:

PIN NO.

+EXCITATION	BROWN	1
-SIGNAL	WHITE	2
-EXCITATION	BLUE	3
+ SIGNAL	BLACK	4

TOLERANCES UNLESS OTHERWISE SPECIFIED:

XXX = ± 0.005

XX = ± 0.015

X = ± 0.025

SCALE: FULL

FINISH: AS NOTED

MAT'L: ALLOY TOOL STEEL

HARDNESS: Rc 40-46



Designed By: METTERT

Date: 1/10/14

Drawn By:

Date:

Approved By:

Date:

Title / Description:

SS1688-10kN mV/V
COMPRESSION LOAD CELL
SPECIFICATION

Dwg Size: A
Dwg. Type: SPEC

Page 1 of 1

Part No.

SS1688-10kN

File Name

17448

Doc. No.

17448