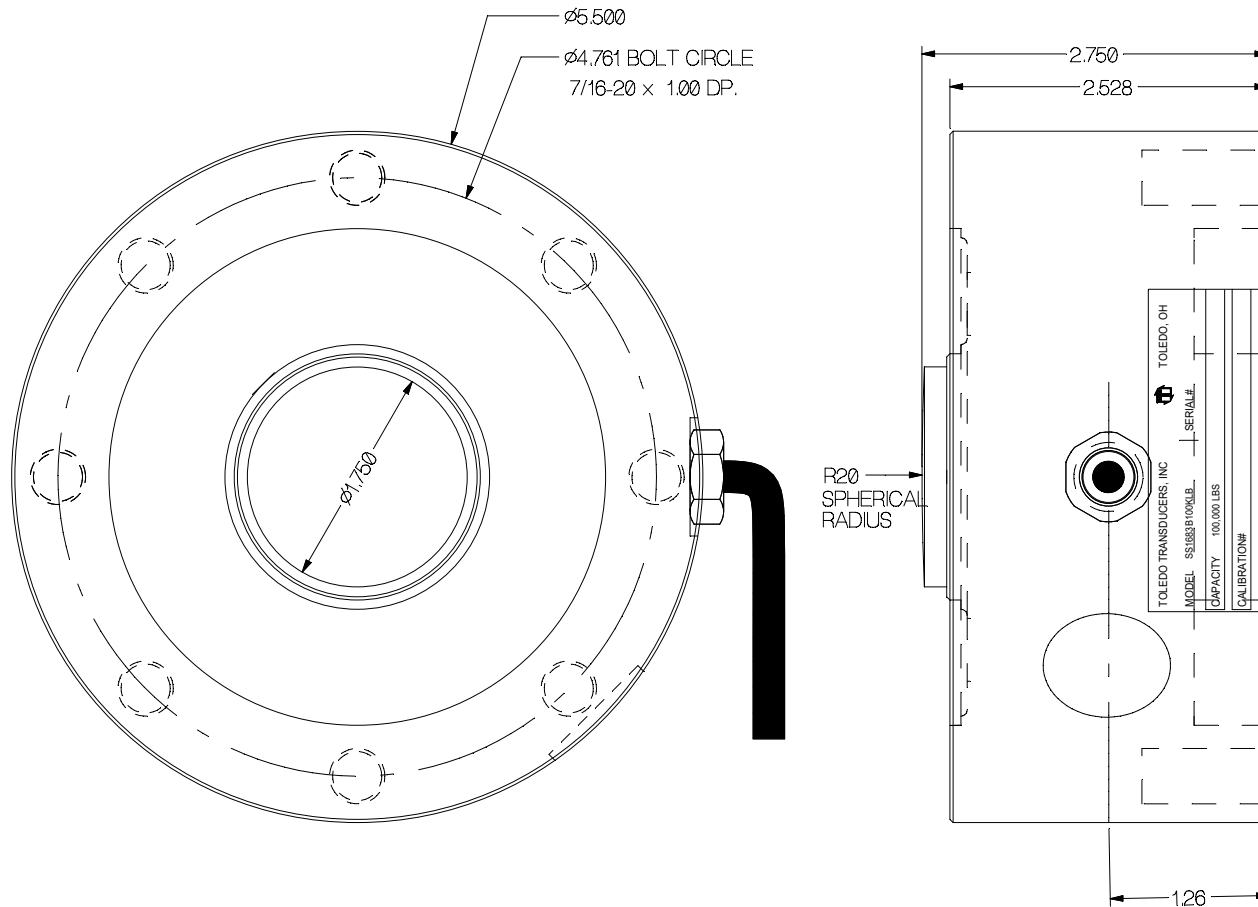


REV	DATE	DESCRIPTION	ECO	SIGN
1	4/1/14	RELEASE TO PILOT		BKM



**SPECIFICATIONS:**

Rated Capacity, (COMPRESSION)	100,000 pounds
Rated Output, typical	2 mV/V
Combined error	0.1 % F.S.
Non-repeatability	0.01 % F.S.
Zero Balance	1 % R.O.
Temperature Range, Compensated	50 F to 120 F
Temperature Effect, Output	0.0008 % of load / F
Temperature Effects, Zero Balance	0.002 % / R.O. / F
Bridge Impedance, Typical	700 ohms
Excitation Voltage, Typical	10 VDC or VAC rms
Excitation Voltage, Maximum	15 VDC or VAC rms
Insulation Resistance	> 5,000 megohms at 50 VDC
Overload, Safe	150 % over capacity
Overload, Ultimate	200 % over capacity
Deflection at Rated Capacity, Approximate	0.003 inch
Construction	Tool Steel

WIRE COLOR CODE: T.T.I. STD.

+EXCITATION	GREEN
+SIGNAL	WHITE
- SIG	RED
- EXCITATION	BLACK

TOLERANCES UNLESS OTHERWISE SPECIFIED:

XXX =  $\pm 0.005$

XX =  $\pm 0.015$

X =  $\pm 0.025$

SCALE: NONE

FINISH: 32 MICRO INCH OR AS NOTED

M.A.T.T.L: 17-4 PH STAINLESS STEEL

HARDNESS: Rc 40-46



TOLEDO  
TRANSDUCE, INC.

Designed By: Mettert

Date: 4/1/14

Drawn By:

Date:

Approved By:

Date:

Title / Description:  
SS1683-100K BUTTON  
UNIVERSAL LOAD CELL  
MACHINED ELEMENT

Dwg Size: C  
Dwg. Type: FAB

Page 1 of 1

Part No. SS1683B100KLB

File Name 17416

Doc. No. 17416