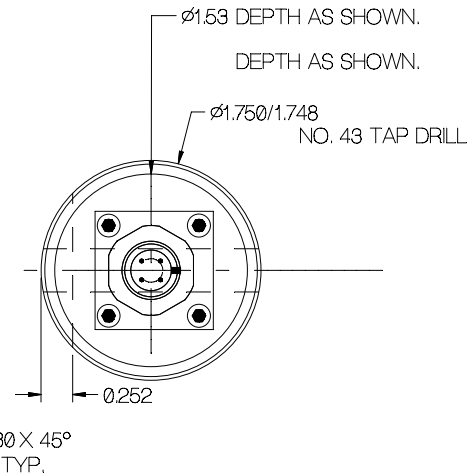
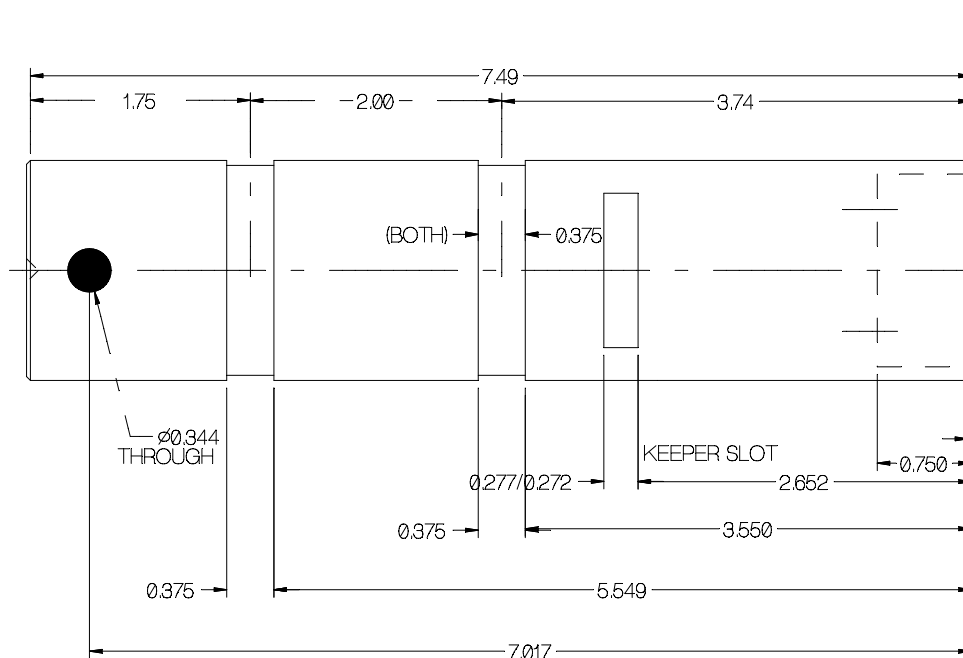
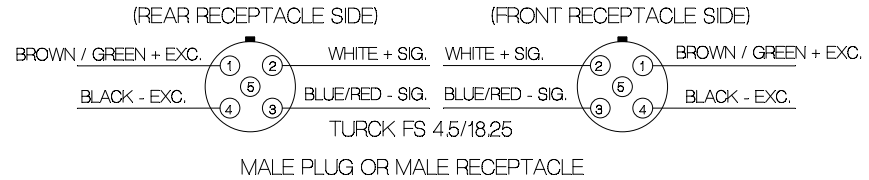


REV	DATE	DESCRIPTION	ECO	SIGN
1	3/24/14	RELEASE TO PILOT		BKM

SPECIFICATIONS:

Rated Capacity	20KLB
Rated Output, typical	2 mV/V
Combined error	0.5 % F.S.
Non-repeatability	0.05 % F.S.
Zero Balance	1 % R.O.
Temperature Range, Compensated	50 F to 120 F
Temperature Effect, Output	0.015 % of load / F
Temperature Effects, Zero Balance	NOT RATED
Bridge Impedance, Typical	350 ohms
Excitation Voltage, Typical	10 VDC or VAC rms
Excitation Voltage, Maximum	15 VDC or VAC rms
Insulation Resistance	> 5,000 megohms at 50 VDC
Overload, Safe	150 % over capacity
Overload, Ultimate	200 % over capacity
Construction	Alloy Steel

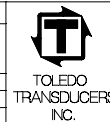
WIRE COLOR CODE:	T.T.I. STD.	PIN NO.	
+EXCITATION	BROWN	GREEN	1
+SIGNAL	WHITE	WHITE	2
-SIG	BLUE	RED	3
-EXCITATION	BLACK	BLACK	4
OPEN			5



TOLERANCES UNLESS OTHERWISE SPECIFIED:  
 XXX = ± 0.005  
 XX = ± 0.015  
 X = ± 0.025

SCALE: FULL

FINISH: 32 micro Inch  
 MAT'L: A2 Tool Steel  
 HARDNESS: R46-50



Designed By:	Date: 3-24-14	Title / Description: SS1682-20K CLEVIS PIN LOAD CELL FABRICATION	Part No. SS1682-20K
Drawn By:	Date:		File Name 17412
Approved By:	Date:	Dwg Size: B Dwg. Type:	Doc. No. 17412

Page 1 of 1