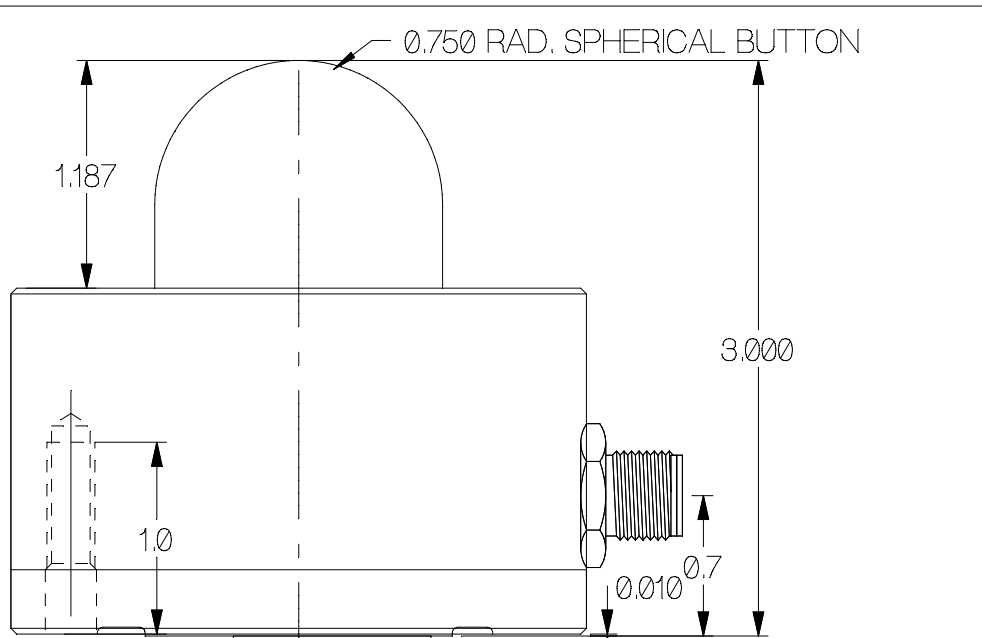
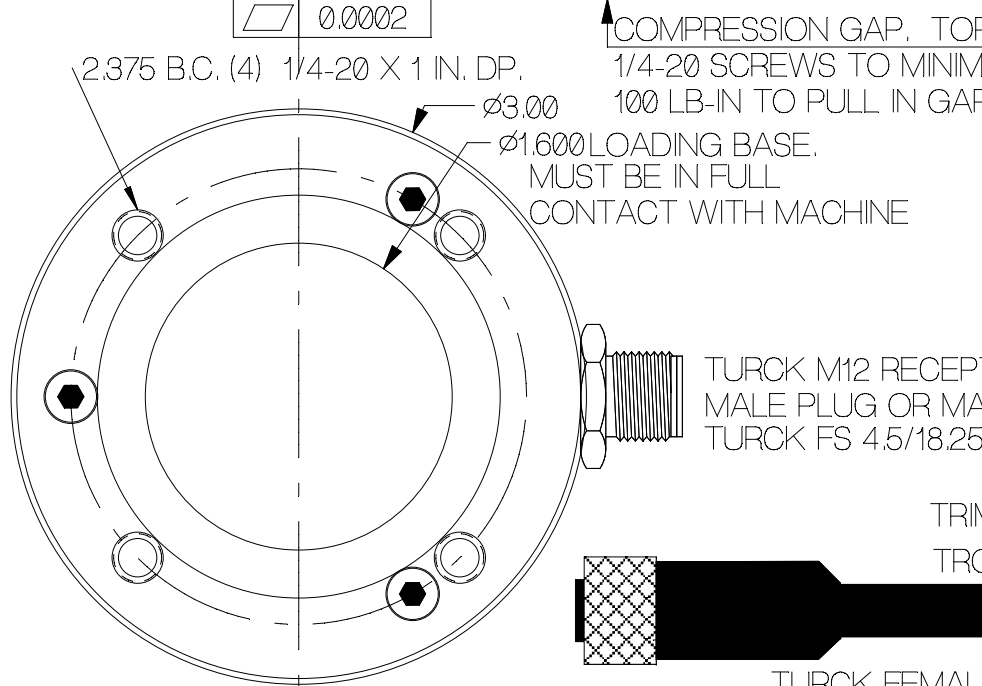


| REV | DATE | DESCRIPTION | ECO | SIGN |
|-----|---------|-------------|-----|------|
| 1 | 5/20/13 | PILOT | | BKM |

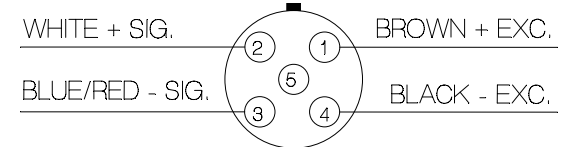


INSTRUCTIONS:

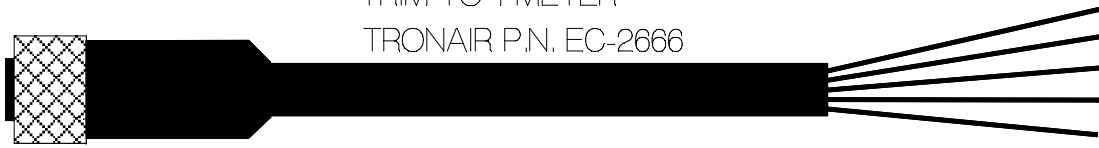
LOAD CELL RATED CAPACITY 100,000 Lbs (50 U.S. TONS)
 INSTRUMENT CAPACITY 120,000 Lbs (60 U.S. TONS)
 RATED OUTPUT AT RATED CAPACITY 2 mV/V typical
 CALIBRATION POINTS: INSTRUMENT RESOLUTION 2 LBS
 4,000 LBS
 20,000 LBS
 30,000 LBS
 60,000 LBS
 110,000 LBS
 COMBINED ERROR CURVE PROVIDED
 NON-REPEATABILITY < 0.05 %
 ZERO BALANCE ± 10 %
 TEMPERATURE EFFECT, OUTPUT 0.0008 % of Load / ° F
 TEMPERATURE EFFECT, ZERO BALANCE Not rated
 INPUT IMPEDANCE 400 OHMS, typical
 OUTPUT IMPEDANCE 350 OHMS, typical
 MAXIMUM LOAD, SAFE 150 % F.S.



(FRONT RECEPTACLE SIDE)



TRIM TO 1 METER
 TRONAIR P.N. EC-2666



TURCK FEMALE CORDSET RK 4.5T-2/S618 TRIM TO 1 M LONG RT NO. (6907-222)

| | |
|--|-------------|
| TOLERANCES UNLESS OTHERWISE SPECIFIED: | |
| XXX = ± 0.005 | SCALE: FULL |
| .XX = ± 0.015 | |
| .X = ± 0.025 | |



| | |
|----------------------|---------------|
| Designed By: Mettert | Date: 4/22/96 |
| Drawn By: | Date: |
| Approved By: | Date: |

| | |
|--|-----------------|
| Title / Description: | |
| SS1660-100KLB LOAD BUTTON SPECIFICATIONS | |
| Dwg Size: A | Dwg. Type: SPEC |
| Page 1 of 1 | |

| |
|-----------------------------|
| T.T.I. Part No. SS1660-100K |
| TRONAIR P.N. EC-2665 |
| File Name 17435 |
| Doc. No. 17435 |