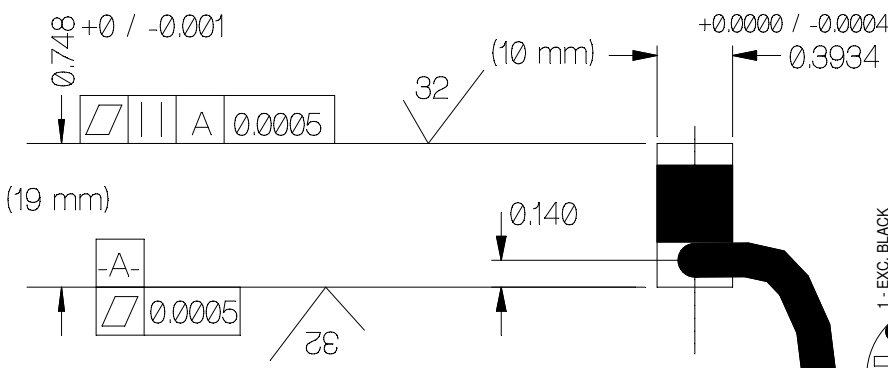
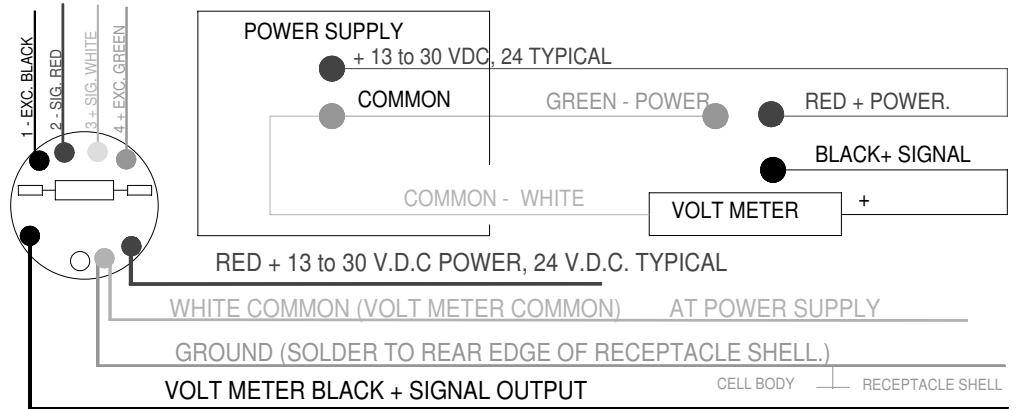


REV	DATE	DESCRIPTION	ECO	SIGN
1	5/9/13	PILOT		BKM

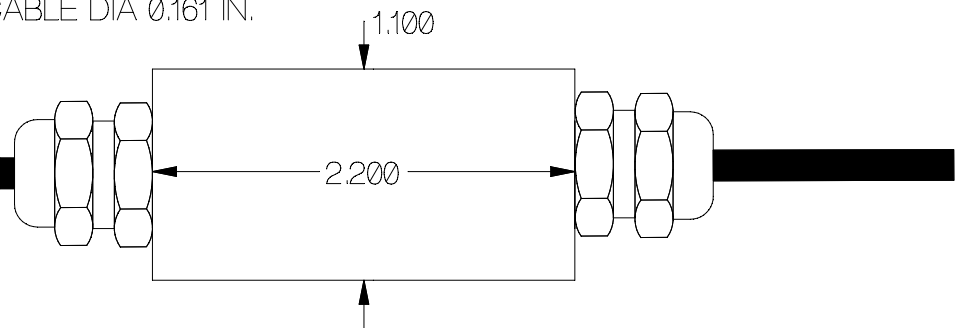


**SPECIFICATIONS:**

RATED CAPACITY	20kN
RATED OUTPUT, (UNI-POLAR OUTPUT)	0.1 TO 10.1 V.D.C.
COMBINED ERROR	<0.25% / F.S.
NON-REPEATABILITY	0.05%
ZERO BALANCE, (NO-LOAD APPLIED)	0.1 V.D.C.
TEMPERATURE RANGE, COMPENSATED	40 °F to 90 °F.
TEMPERATURE EFFECT, OUTPUT	0.001%/F.
TEMPERATURE EFFECT, ZERO BALANCE	0.005%/F.
POWER SUPPLY VOLTAGE, (MINIMUM)	13 VDC
POWER SUPPLY VOLTAGE, MAXIMUM	30 VDC
POWER CONSUMPTION, MAXIMUM	36 mA
INSULATION RESISTANCE	5,000 MEG.OHMS @ 30 VDC
MAXIMUM LOAD, SAFE	150% F.S.
MAXIMUM LOAD, ULTIMATE	200% F.S.
LOAD CELL ELEMENT CONSTRUCTION	HEAT TREATED ALLOY STEEL



FROM LOAD CELL TO ILE IS 0.5 M, AFTER THAT 4.5 METERS CABLE DIA 0.161 IN.



**WIRE COLOR CODE:**

+ 13 to 30 V.D.C., 24 TYPICAL	RED
- OUTPUT AND POWER SUPPLY COMMON	GREEN
- OUTPUT	WHITE
+ OUTPUT	BLACK

CABLE SHIELD GROUNDED AT INSTRUMENT END AND LOAD CELL END

TOLERANCES UNLESS OTHERWISE SPECIFIED:	
XXX = ± 0.005	SCALE: FULL
XX = ± 0.015	
X = ± 0.025	
FINISH: AS NOTED	
MAT'L: ALLOY TOOL STEEL	
HARDNESS: Rc 58-60	



Designed By:	METTERT
Drawn By:	
Approved By:	

Date:	5/9/13
Date:	
Date:	

Title / Description:	
SS1656-20KN-ILE COMPRESSION LOAD CELL SPECIFICATION	
Dwg Size:	A
Dwg. Type:	SPEC

Part No.	SS1656-20KN-ILE
File Name	17277ILE
Doc. No.	17277ILE