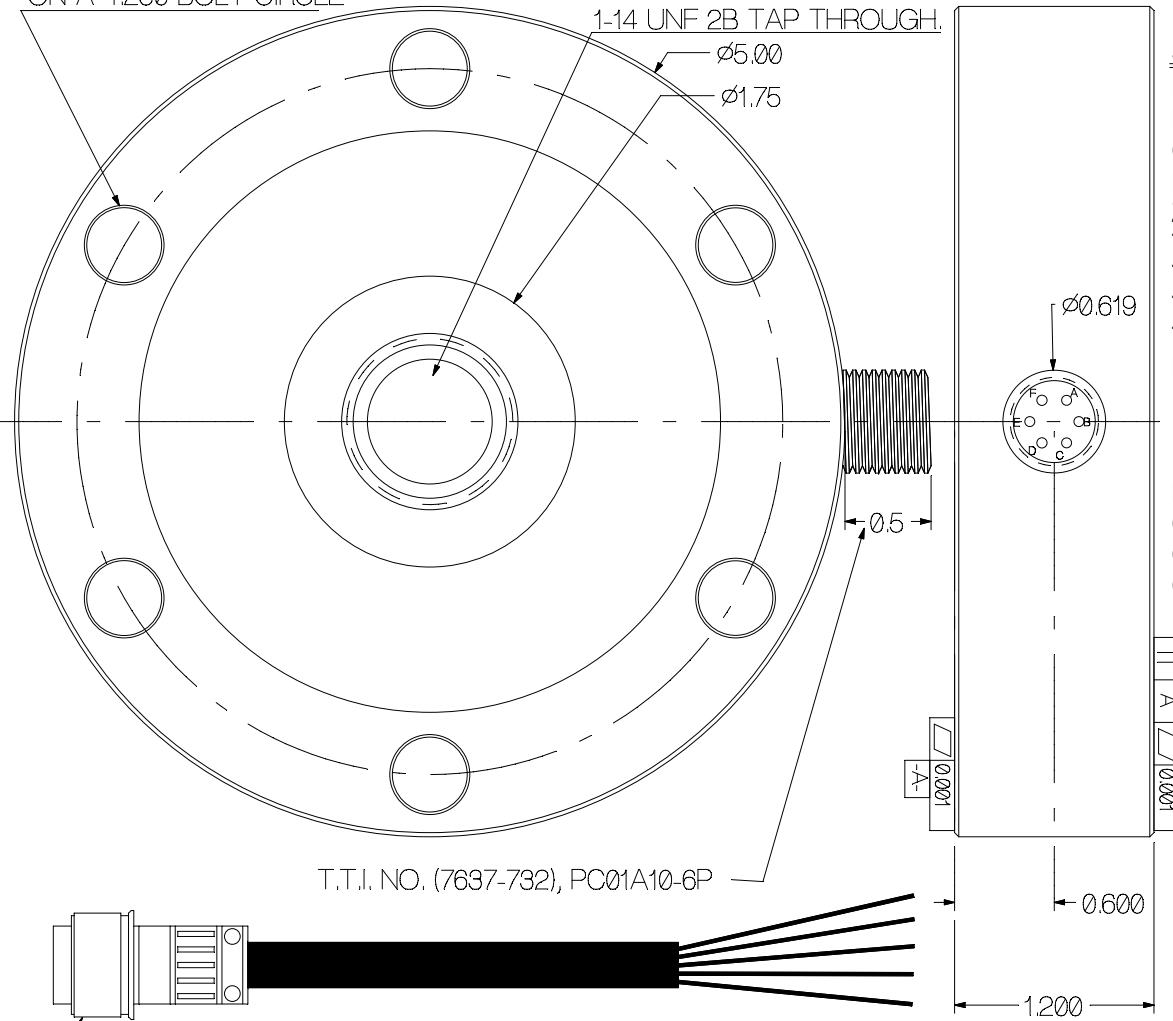


REV	DATE	DESCRIPTION	ECO	SIGN
1	4/11/12	PILOT PROPOSAL		BKM

(6) (0.450) DRILL HOLES, EQ. SPACED ON A 4.250 BOLT CIRCLE



SPECIFICATIONS:

Rated Capacity, tension and or compression	10,000 pounds
Rated Output, Typical	2 mV/V
Combined error	0.03 % F.S.
Non-repeatability	0.01 % F.S.
Zero Balance	1 % R.O.
Temperature Range, Compensated	50° F to 150° F
Temperature Effect, Output	0.0008 % of load / ° F
Temperature Effects, Zero Balance	0.0015 % / R.O. / ° F
Temperature Range, Useable	-65° F to 200° F
Bridge Impedance, Typical	700 ohms
Excitation Voltage, Typical	10 VDC or VAC rms
Excitation Voltage, Maximum	15 VDC or VAC rms
Insulation Resistance	> 5,000 megohms at 50 VDC
Load, for Infinite Life, tension or compression	10,000 pounds
Overload, Safe	200 % over Rated Capacity
Overload, Ultimate	300 % over Rated Capacity
Construction	STAINLESS STEEL

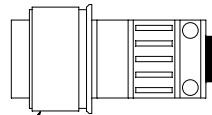
RECEPTACLE AMPHENOL P.N. PC01A10-6P

SOC.	COLOR	DESIGNATION
A	GREEN	+ EXC.
B	WHITE	+ SIG.
C	RED	- SIG.
D	BLACK	- EXC.
E	BLACK	- SEN.
F	GREEN	+ SEN.

JUMPER A TO F + SEN.
JUMPER D TO E - SEN.

SHLD. FLOATS > 5KM OHMS TO GROUND

T.T.I. NO. (7637-732), PC01A10-6P



PLUG, AMPHENOL PC06A10-6S (SR) RECEPTACLE PLUG

 TOLEDO TRANSDUCERS, INC.	Designed By:	METTERT	Date:	4/11/12	Title / Description:		Part No.
	Drawn By:		Date:		SS1635-10KLB UNIVERSAL LOAD CELL SPECIFICATIONS		SS1635-10KLB
	Approved By:		Date:		Dwg. Size:	Dwg. Type:	File Name
				A	FAB	Page 1 of 1	17130
							Doc. No.
							17130