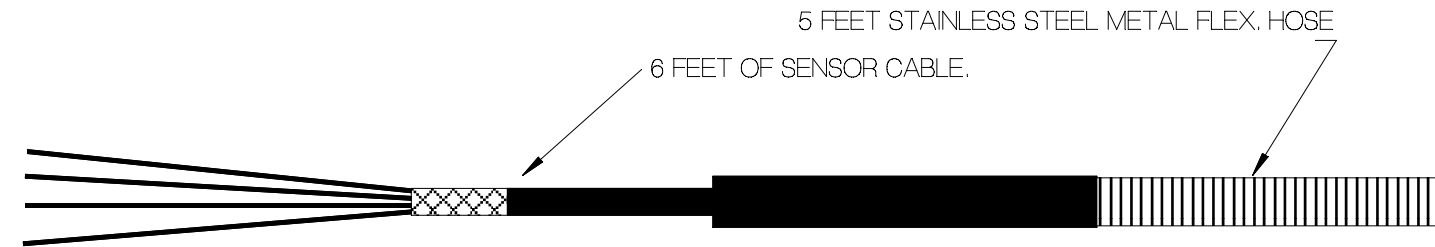


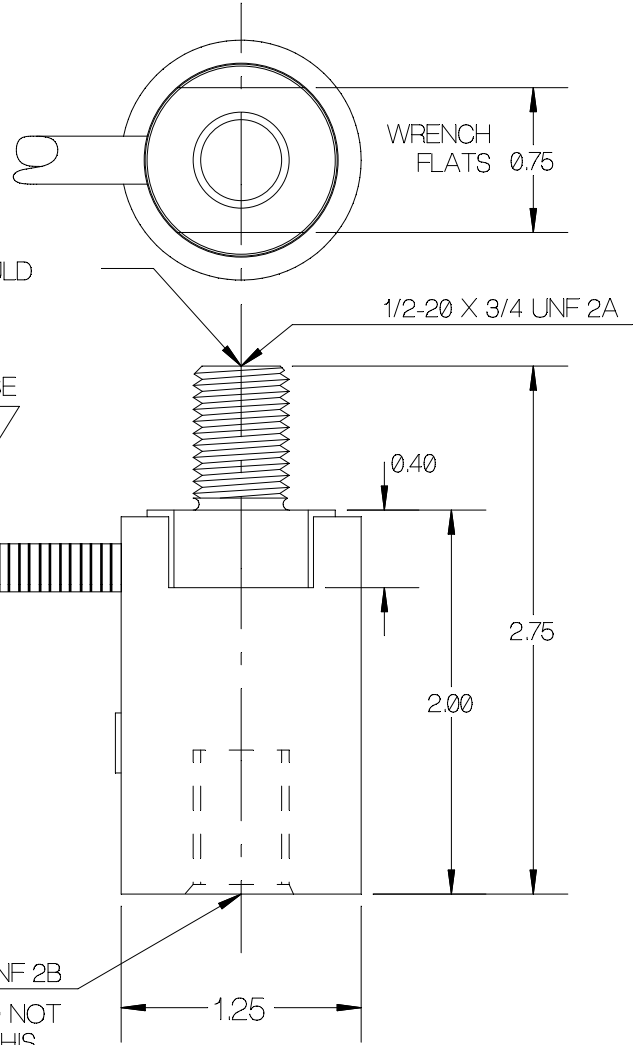
REV	DATE	DESCRIPTION	ECO	SIGN
1	3/21/12	RELEASE PILOT	437	RAB

WIRE COLOR CODE:

+ EXCITATION GREEN
 - EXCITATION BLACK
 + SIGNAL WHITE
 - SIGNAL RED
 SHIELD 1 OHM TO ELEMENT*
 *(DYNAMIC LOAD CELL USED WITH
 T.T.I. PRODUCTION / LOAD MONITOR.)



INSTALLATION TORQUE SHOULD NOT EXCEED 525 IN-LB ON THIS END OF LOAD CELL



TOOL TORQUE SHOULD NOT EXCEED 250 IN-LB ON THIS END OF LOAD CELL

SPECIFICATIONS:

RATED CAPACITY	2,000 POUNDS
RATED OUTPUT	2 mV/V typical
COMBINED ERROR	0.25 %
NON-REPEATABILITY	0.05 %
ZERO BALANCE	± 1 %
TEMPERATURE RANGE, COMPENSATED	+14 TO 104° F
TEMPERATURE EFFECT, OUTPUT	0.014 % / ° F
TEMPERATURE EFFECT, ZERO BALANCE	0.05 % / ° F
INPUT IMPEDANCE	350 OHMS, typical
EXCITATION VOLTAGE (typical)	10 VDC or VAC rms
EXCITATION VOLTAGE, MAXIMUM	15 VDC or VAC rms
INSULATION RESISTANCE	5,000 MEG OHMS @ 50 VDC
MAXIMUM LOAD, SAFE	150 % F.S.
MAXIMUM LOAD, ULTIMATE	300 % F.S.

TOLERANCES UNLESS OTHERWISE SPECIFIED:

.XXX = ± 0.005	SCALE: FULL
.XX = ± 0.015	
.X = ± 0.025	
FINISH: FINE BRUSHED FINISH, O.D. NO MARKS	
MAT'L: ALLOY STEEL / STAINLESS STEEL	



Designed By: **Mettert**

Drawn By:

Approved By:

Date: **3/21/12**

Date:

Date:

Title / Description:
**2KLb INSERTION LOAD CELL
SPECIFICATIONS**

Dwg. Size: **A** Dwg. Type: **SPEC**

Page 1 of 1

Part No. **SS1633-2K**

File Name **17124**

Doc. No. **17124**