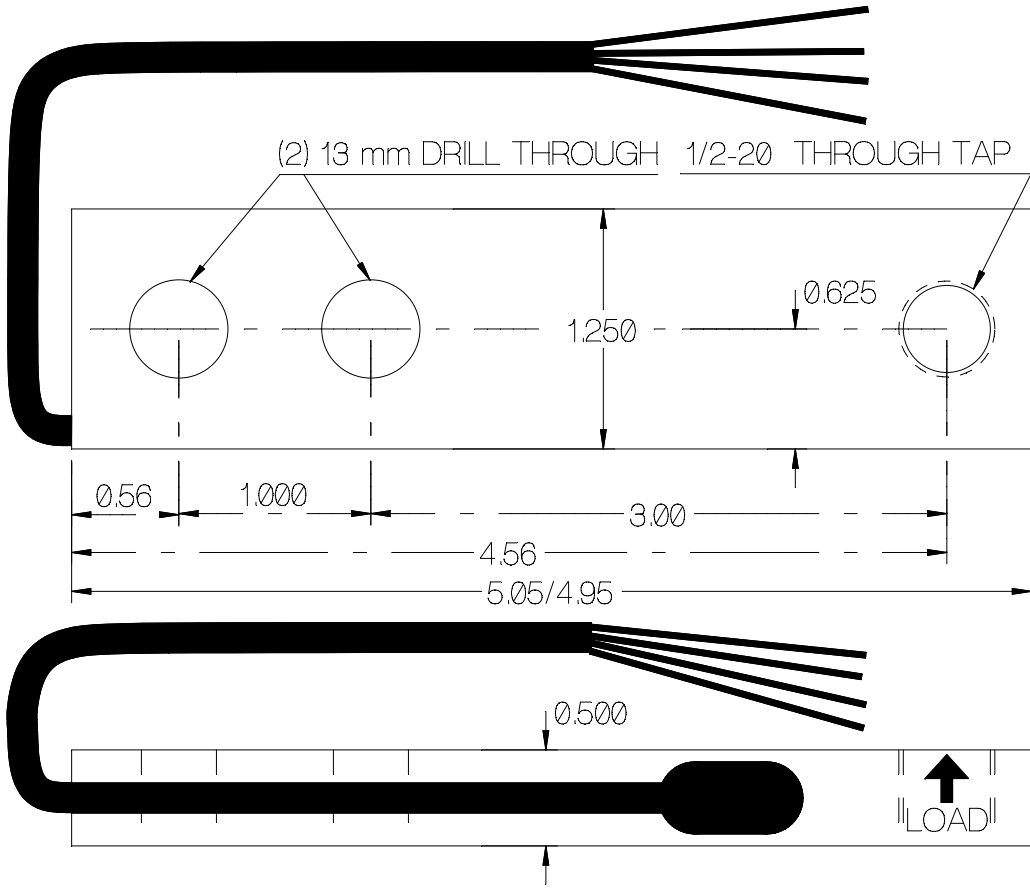


REV	DATE	DESCRIPTION	ECO	SIGN
A	11/14/08	RELEASE TO PILOT (DOUBLE HOLES)		BKM
B	3/20/2009	SHEAR BEAM		BKM



Rated Capacity	500 LBS
Rate Output, typical	2 mV/V
Combined Error	<0.05 %*
Non-repeatability	0.01 %
Creep, 30 minutes	0.05 %
Zero Balance	± 10 %
Temperature Range, Compensated	+ 14° to + 104° F
Temperature Effect, Output	0.05 % of load / 100° F
Temperature Effect, Zero Balance	0.25% / 100° F
Input Impedance	410 Ohms ± 10 %
Output Impedance	350 Ohms ± 1 %
Insulation Resistance	5000 Megohms at 50 VDC
Maximum Load, Safe	200 %
Maximum Load, Ultimate	300 %
Deflection at Rated Capacity	0.04 inch
Weight, approximate	1 pounds
Construction	Aluminum

48 INCHES OF CABLE EXTENDING FROM LOAD CELL  
LEADS 1.5" LONG.  
DO NOT TIN TIPS.

RED + SIG.  
WHITE - SIG.  
GREEN + EXC.  
BLACK - EXC.

\* Combined effects of Non-linearity and Hysteresis: The maximum deviation from the straight line, drawn between the original no-load and Rated capacity, expressed as a percent of Rated Output and measured on increasing and decreasing load.

TOLERANCES UNLESS OTHERWISE SPECIFIED:	
XXX = ± 0.005	SCALE: FULL
XX = ± 0.015	
X = ± 0.025	
FINISH: COLD ROLLED MILL FINISH	
MAT'L: 2024-T351	
HARDNESS: T351	



Designed By:	METTERT
Drawn By:	
Approved By:	

Date:	11/14/08
Date:	
Date:	

Title / Description:		
SS1558-500LB BEAM STYLE LOAD CELL		
Dwg. Size:	Dwg. Type:	
A	FAB	

Part No.	SS1558S500LB
File Name	16566
Doc. No.	16566