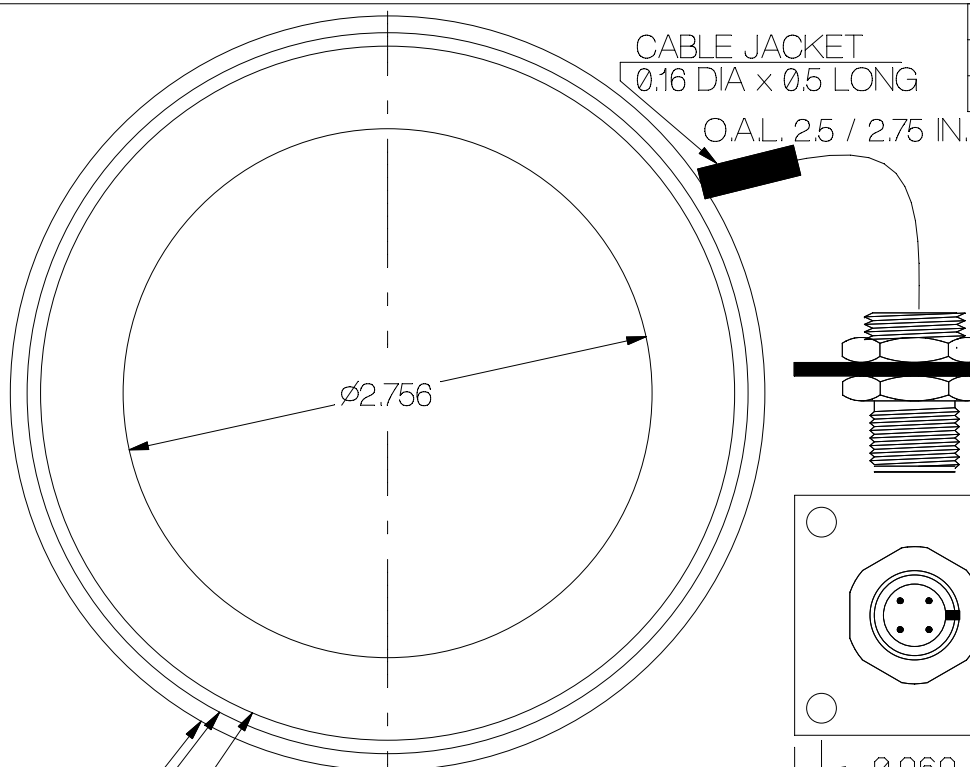
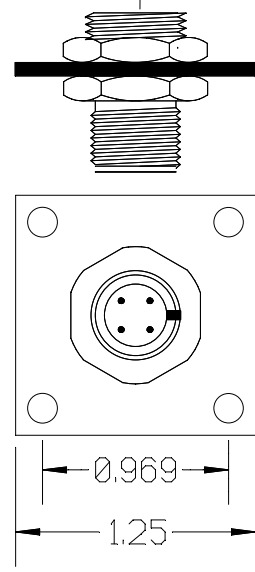


REV	DATE	DESCRIPTION	ECO	SIGN
1	8/6/08	RELEASE TO PILOT		BKM
2	4/18/12	CABLE JACKET 0.16 DIA x 0.5 LONG		BKM



SPECIFICATIONS:

Rated Capacity	16K, 20K, 30K pounds
Rated Output, typical	2 mV/V
Combined error	0.25 % F.S.
Non-repeatability	0.05 % F.S.
Zero Balance	1 % R.O.
Temperature Range, Compensated	50 F to 120 F
Temperature Effect, Output	0.0008 % of load / ° F
Temperature Effects, Zero Balance	0.02 % / R.O. / ° F
Bridge Impedance, Typical	350 ohms
Excitation Voltage, Typical	10 VDC or VAC rms
Excitation Voltage, Maximum	15 VDC or VAC rms
Insulation Resistance	> 5,000 megohms at 50 VDC
Overload, Safe	150 % over capacity
Overload, Ultimate	200 % over capacity
Deflection at Rated Capacity, Approximate	0.001 inch
Construction	Tool steel

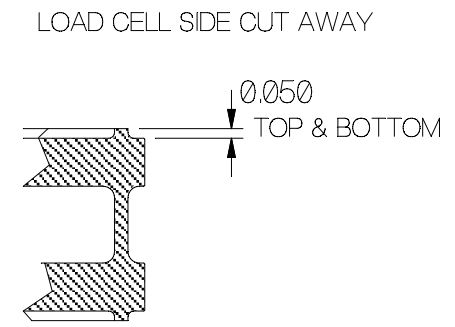
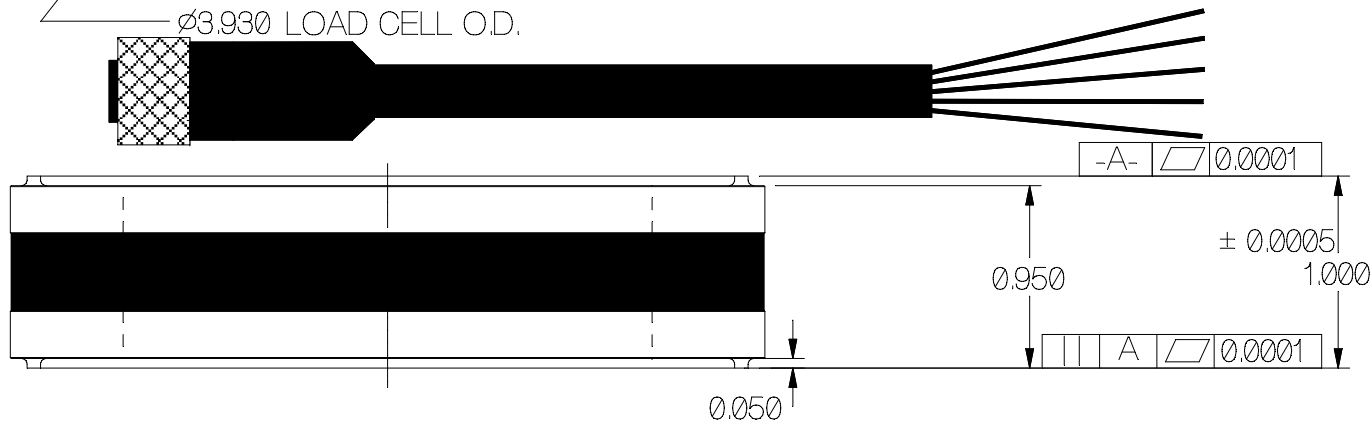


ZINC PLT. 16 GAGE STEEL.

Cable color code:

Brown	+ Excitation
Black	- Excitation
White	+ Signal
Blue	- Signal
Shield	1 OHM at cell

- $\phi 3.615$ LOAD CELL I.D. FOOT.
 - $\phi 3.755$ LOAD CELL O.D. FOOT.
 - $\phi 3.930$ LOAD CELL O.D.



TOLERANCES UNLESS OTHERWISE SPECIFIED:
 .XXX = ± 0.005
 .XX = ± 0.015
 .X = ± 0.025

SCALE: FULL

FINISH: NO MACHINE MARKS
 MAT'L: ALLOY STEEL
 HARDNESS: Rc 40-46



Designed By: Mettert
 Drawn By:
 Approved By:

Date: 8/6/08
 Date:
 Date:

Title / Description:
 SS1543-8T, 10T, 15 TON
 DOUGHNUT LOAD CELL
 SPECIFICATIONS

Dwg. Size: A
 Dwg. Type: SPEC

Part No. SS1543
 File Name 16471
 Doc. No. 16471