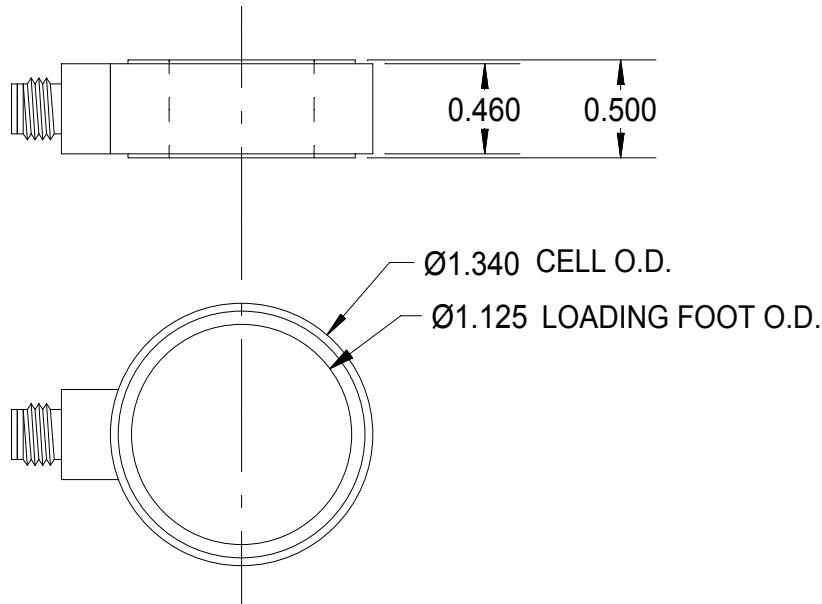


REV	DATE	DESCRIPTION	ECO	SIGN

TURCK PKG4M-3/S90/S618 T.T.I. NO. (4247-222)



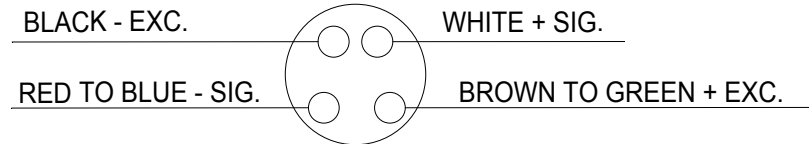
3 METER LONG SHIELDED CABLE.



SPECIFICATIONS:

Rated Capacity, compression	60,000 pounds
Rated Output, Typical	3 mV/V
Combined error	ACCREDITED CALIBRATION CURVE PROVIDED
Non-repeatability	0.05 % F.S.
Zero Balance	10 % R.O.
Temperature Range, Compensated	50° F to 150° F
Temperature Effect, Output	0.0008 % of load / ° F
Temperature Effects, Zero Balance	0.01 % / R.O. / ° F
Temperature Range, Useable	-65° F to 200° F
Bridge Impedance, Typical	700 ohms
Excitation Voltage, Typical	10 VDC or VAC rms
Excitation Voltage, Maximum	15 VDC or VAC rms
Insulation Resistance	> 5,000 megohms at 50 VDC
Overload, Safe	80,000 pounds
Construction	Tool Steel

(REAR RECEPTACLE SIDE)



COLOR CODE: T.T.I. COLOR

BROWN + EXC.	GREEN
BLACK - EXC.	BLACK
WHITE + SIG.	WHITE
BLUE - SIG.	RED

<p>TOLEDO TRANSDUCERS, INC.</p>	Designed By: Mettert	Date: 10/15/07	Title / Description: SS1516-30TON LOW PROFILE LOAD CELL		Part No. SS1516-30T
	Drawn By:	Date:	Dwg. Size: A Dwg. Type: SPEC		File Name
	Approved By:	Date:	Page 1 of 1		Doc. No.