

REV	DATE	DESCRIPTION	ECO	SIGN

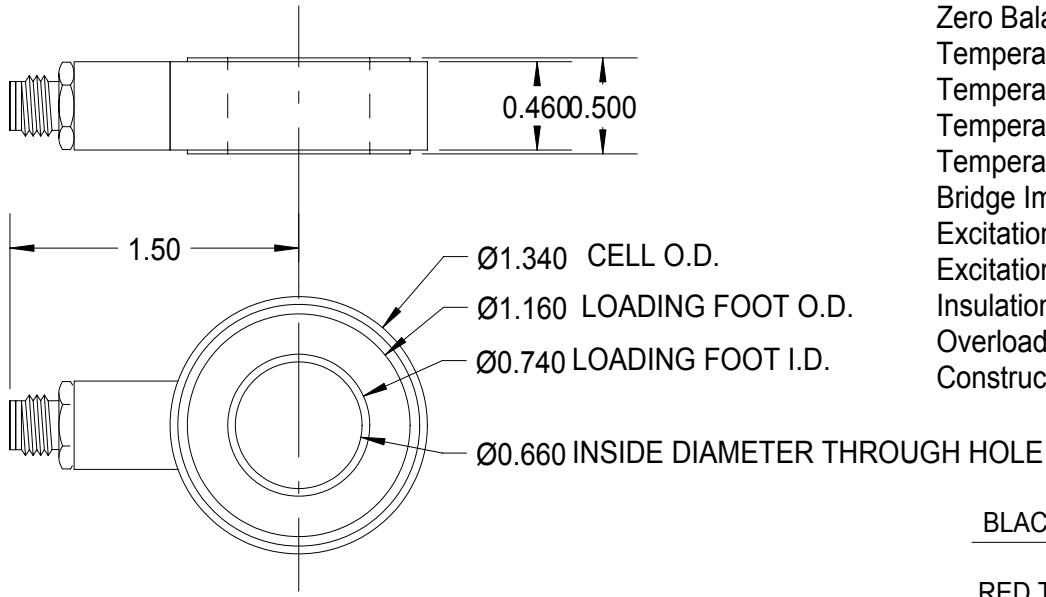
TURCK PKG4M-4/S90/S618 T.T.I. NO. (4247-222)



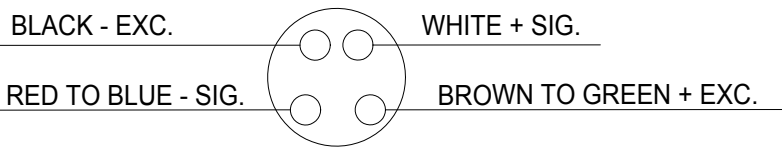
4 METER LONG SHIELDED CABLE.

SPECIFICATIONS:

Rated Capacity, compression	40,000 pounds
Rated Output, Typical	2.5 mV/V
Combined error	1 % F.S.
Non-repeatability	0.05 % F.S.
Zero Balance	10 % R.O.
Temperature Range, Compensated	50° F to 150° F
Temperature Effect, Output	0.0008 % of load / ° F
Temperature Effects, Zero Balance	0.01 % / R.O. / ° F
Temperature Range, Useable	-65° F to 200° F
Bridge Impedance, Typical	350 ohms
Excitation Voltage, Typical	10 VDC or VAC rms
Excitation Voltage, Maximum	15 VDC or VAC rms
Insulation Resistance	> 5,000 megohms at 50 VDC
Overload, Safe	50,000 pounds
Construction	Tool Steel



(REAR RECEPTACLE SIDE)



COLOR CODE: T.T.I. COLOR

BROWN + EXC.	GREEN
BLACK - EXC.	BLACK
WHITE + SIG.	WHITE
BLUE - SIG.	RED

TOLERANCES UNLESS OTHERWISE SPECIFIED:  
 .XXX = ± 0.005  
 .XX = ± 0.015  
 .X = ± 0.025

SCALE: FULL

FINISH: 16 MICRO INCH OR LESS  
 MAT'L: TOOL STEEL ELEMENT S.S. COVER  
 HARDNESS: Rc 40-46 ELEMENT



Designed By: **Mettert** Date: **11/29/05**

Drawn By: Date:

Approved By: Date:

Title / Description:  
**SS1482 40,000 POUND  
 DOUGHNUT LOAD CELL**

Dwg. Size: **C** Dwg. Type: **ASBY**

Page 1 of 1

Part No. **SS1482**

File Name **13991SP.FCD**

Doc. No. **13991**