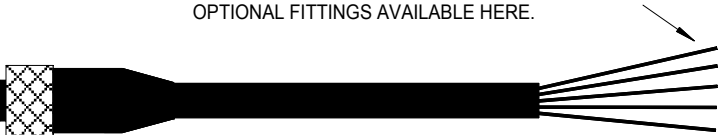


REV	DATE	DESCRIPTION	ECO	SIGN

OPTIONAL FITTINGS AVAILABLE HERE.

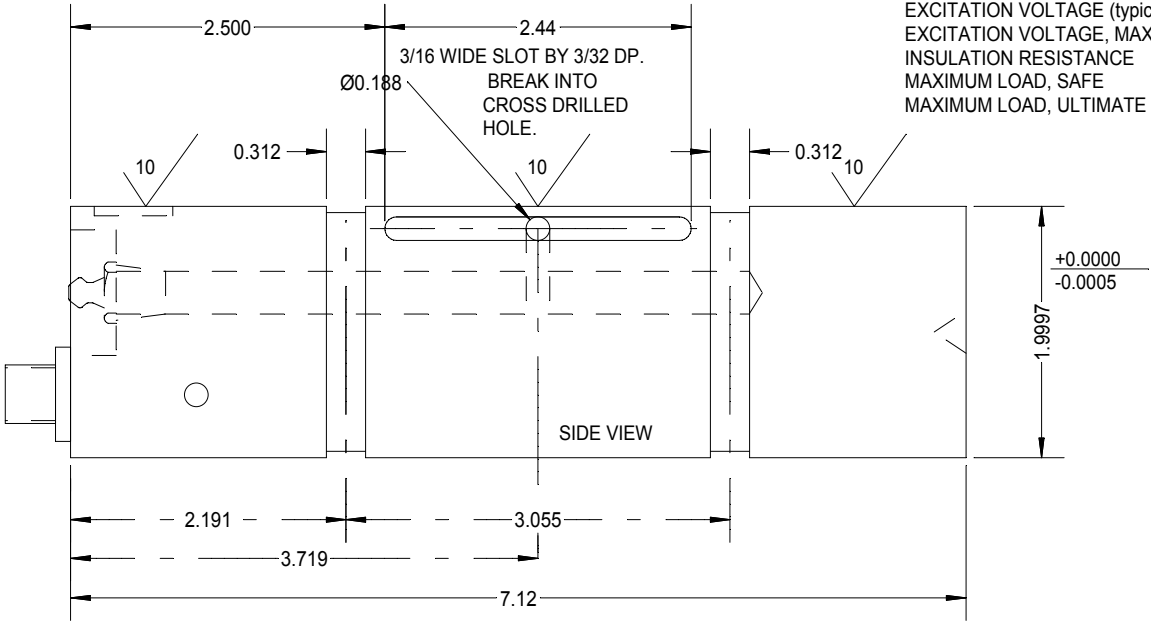
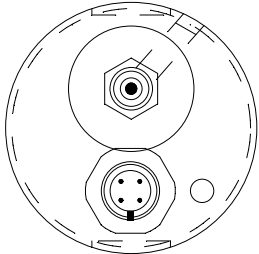


TURCK RKS4.4-4, ORDER NO. (2050-222)

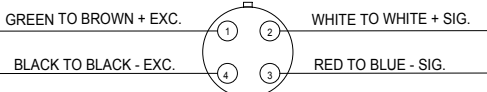
SPECIFICATIONS:

RATED CAPACITY	20 TONS, (40,000 POUNDS)
RATED OUTPUT, (Typical)	1.3 mV/V
COMBINED ERROR	<0.5 %
NON-REPEATABILITY	0.05 %
ZERO BALANCE	± 10 %
TEMPERATURE RANGE, COMPENSATED	50 TO 150°F
TEMPERATURE EFFECT, OUTPUT	0.015 % / °F
TEMPERATURE EFFECT, ZERO BALANCE	NOT RATED
INPUT / OUTPUT IMPEDANCE	350 OHMS, typical
EXCITATION VOLTAGE (typical)	10 VDC or VAC rms
EXCITATION VOLTAGE, MAXIMUM	15 VDC or VAC rms
INSULATION RESISTANCE	5,000 MEG OHMS @ 50 VDC
MAXIMUM LOAD, SAFE	200 % F.S.
MAXIMUM LOAD, ULTIMATE	400 % F.S.

McMaster-Carr 1095K65 GREASE FITTING.  
GREASE ACCORDING TO PRESS MFG.  
MANUAL INSTRUCTIONS.



(REAR RECEPTACLE SIDE)



T.T.I. NO. (4241-732)  
TURK FS 4.5/18.25 or EQ.

TOLERANCES UNLESS OTHERWISE SPECIFIED:	
.XXX = ± 0.005	SCALE: FULL
.XX = ± 0.015	
.X = ± 0.025	
FINISH: 32 MICRO INCH OR LESS	
MAT'L: D2	
HARDNESS: Rc 56 / 58	



Designed By:	Mettert	Date:	6/24/01
Drawn By:		Date:	
Approved By:		Date:	

Title / Description:	
SS1410-R4 CLEVIS PIN	
LOAD CELL	
SPECIFICATIONS	
Dwg. Size:	A
Dwg. Type:	SPEC
Page 1 of 1	

Part No.	SS1410-R4
File Name	13457SP.FCD
Doc. No.	13457