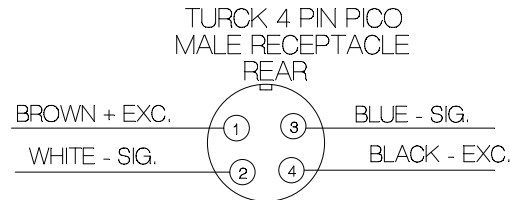
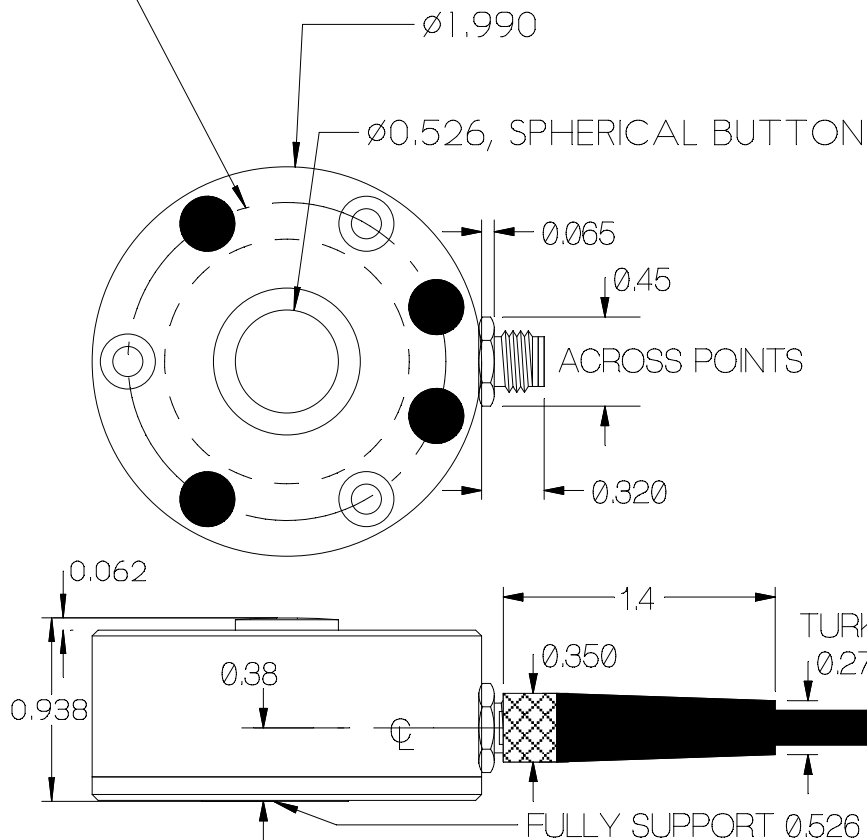


REV	DATE	DESCRIPTION	ECO	SIGN
1	6/12/06	RELEASE TO PILOT		
2	6/15/07	WAS 1.000 TALL		

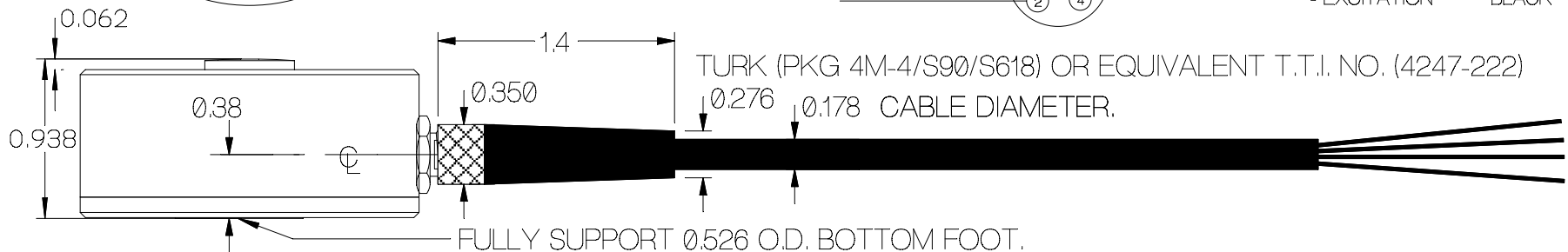
NOTE: FOR BEST RESULTS;
 USE (3) 6-32 X 0.75 LONG S.H.C.S.
 TO BOLT LOAD CELL IN PLACE
 AND PRE-LOAD RAISED BOTTOM FOOT.
 (3) 9/32 CTR. BORE X 0.340 DP,
 EQ. SPACED ON A
 Ø1.625 BOLT CIRCLE

SPECIFICATIONS:


RATED CAPACITY, FATIGUE RATED FOR INFINITE LIFE	5,000 POUNDS
RATED OUTPUT	2 mV/V typical
COMBINED ERROR	± 0.25 %
NON-REPEATABILITY	< 0.05 %
ZERO BALANCE	± 10 %
TEMPERATURE RANGE, COMPENSATED	-65 TO 200° F
TEMPERATURE EFFECT, OUTPUT	0.005 % of Load / ° F
TEMPERATURE EFFECT, ZERO BALANCE	Not rated
INPUT IMPEDANCE	390 OHMS, typical
OUTPUT IMPEDANCE	350 OHMS, typical
EXCITATION VOLTAGE (typical)	10 VDC or VAC rms
EXCITATION VOLTAGE, MAXIMUM	15 VDC or VAC rms
INSULATION RESISTANCE	5,000 MEG OHMS @ 50 VDC
MAXIMUM LOAD, SAFE	150 % F.S.
MAXIMUM LOAD, ULTIMATE	200 % F.S.
DEFLECTION AT RATED CAPACITY, APPROXIMATE	0.002 in.
ENVIRONMENTALLY SEALED WITH "O" RINGS AT ALL MATING SURFACES.	
CONSTRUCTION	TOOL STEEL ELEMENT, STAINLESS STEEL COVER



WIRE COLOR CODE:		PIN NO.
+EXCITATION	BROWN	1
+SIGNAL	WHITE	2
- SIG	BLUE	3
- EXCITATION	BLACK	4



RECOMMENDED MOUNTING SCREW IS A #6-32 X 3/4" LONG SOCKET HEAD CAP SCREW, (3) REQUIRED.

TOLERANCES UNLESS OTHERWISE SPECIFIED: .XXX = ± 0.005 .XX = ± 0.015 .X = ± 0.025	 TOLEDO TRANSDUCERS, INC.	Designed By: Mettert	Date: 6/12/06	Title / Description: SS1406-5K BUTTON LOAD CELL SPECIFICATIONS	Part No. SS1406-5K
		Drawn By:	Date:	Dwg. Size Dwg. Type: A SPEC	File Name 16785
		Approved By:	Date:	Page 1 of 1	Doc. No. 16785