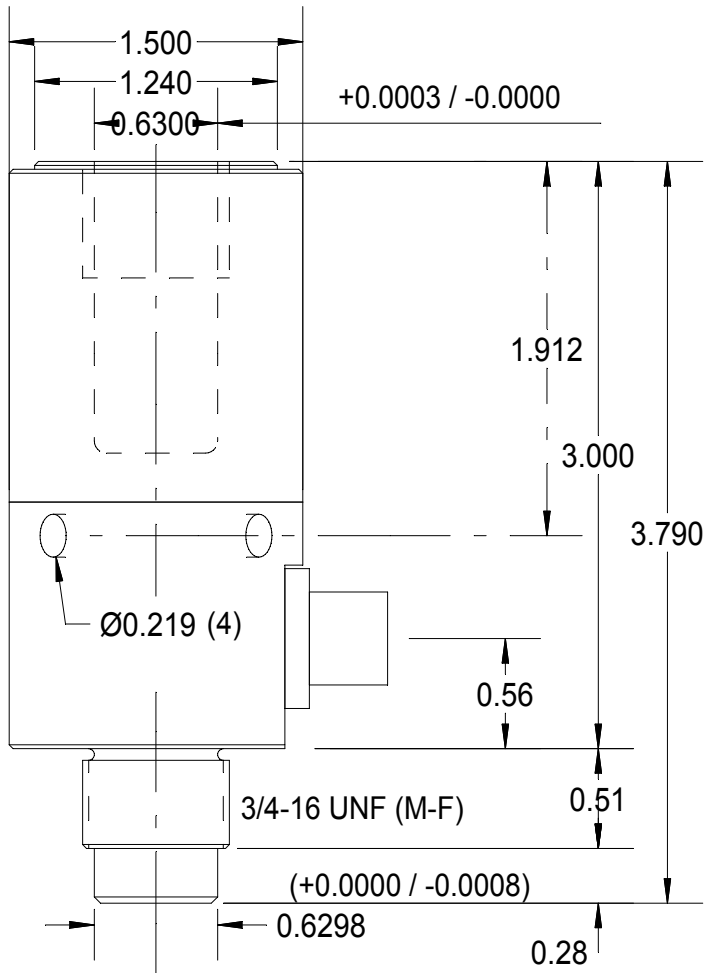
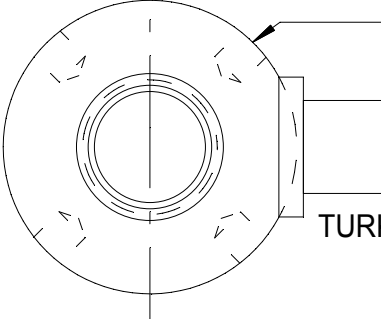


REV	DATE	DESCRIPTION	ECO	SIGN



**SPECIFICATIONS:**

RATED CAPACITY	40,000 N
RATED OUTPUT, matched	2.00 ± 0.01 mV/V
COMBINED ERROR	± 0.25 %
NON-REPEATABILITY	< 0.05 %
ZERO BALANCE	± 1 %
TEMPERATURE RANGE, COMPENSATED	+60 TO 160° F
TEMPERATURE EFFECT, OUTPUT	0.0005 % of Load / ° F
TEMPERATURE EFFECT, ZERO BALANCE	Not rated
INPUT IMPEDANCE	350 typical
OUTPUT IMPEDANCE	350 OHMS, typical
EXCITATION VOLTAGE (typical)	10 VDC or VAC rms
EXCITATION VOLTAGE, MAXIMUM	15 VDC or VAC rms
INSULATION RESISTANCE	5,000 MEG OHMS @ 50 VDC
MAXIMUM LOAD, SAFE	150 % F.S.
MAXIMUM LOAD, ULTIMATE	300 % F.S.
DEFLECTION AT RATED CAPACITY, APPROXIMATE	0.002 in.
CONSTRUCTION	STAINLESS STEEL COVER, TOOL STEEL ELEMENT



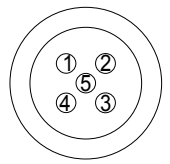
USE FRACTIONAL FIXED HEAD-PIN STYLE SPANNER WRENCH.  
McMASTER-CARR NO. 5475A13

TURK FS 4.5 / 18.25



**PIN COLOR CODE:**

- 1 + EXC.
- 2 - SIG.
- 3 - EXC.
- 4 + SIG.
- 5 1 WIRE



FRONT

SHLD. < 1 OHM to ELEMENT

TOLERANCES UNLESS OTHERWISE SPECIFIED:	
.XXX = ± 0.005	SCALE: FULL
.XX = ± 0.015	
.X = ± 0.025	
FINISH: 32 MICRO INCH OR LESS	



Designed By:	Mettert
Drawn By:	
Approved By:	

Date:	1/2/02
Date:	
Date:	

Title / Description:		
SS1397-40kN INSERTION LOAD CELL		
Dwg. Size:	Dwg. Type:	
A	SPEC	

Part No.	SS1397
File Name	12469SP.FCD
Doc. No.	12469