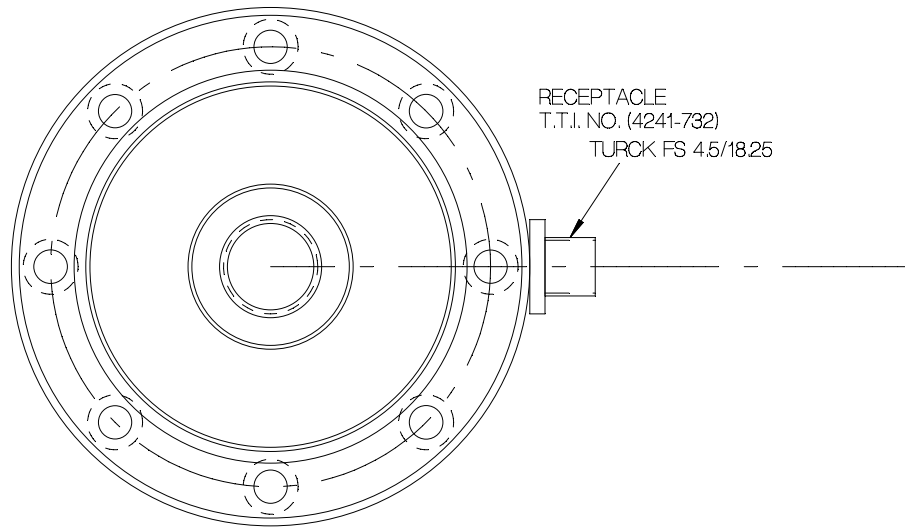
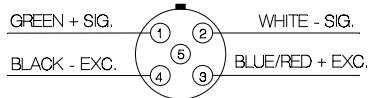


REV	DATE	DESCRIPTION	ECO	SIGN
1	7/8/11	PILOT		BKM

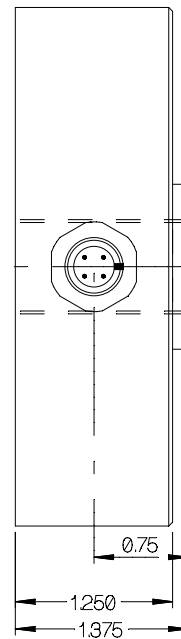


MALE PLUG OR MALE RECEPTACLE  
TURCK FS 4.5/18.25

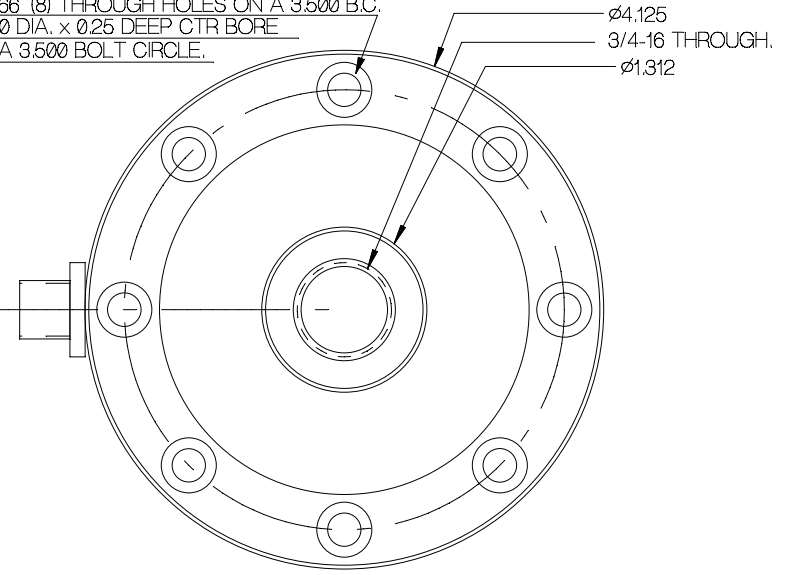
(REAR RECEPTACLE SIDE)



WIRE COLOR CODE:	W.R.S.G.C.	PIN NO.
+ SIGNAL	BROWN GREEN	1
- SIGNAL	WHITE WHITE	2
+ EXCITATION	BLUE RED	3
- EXCITATION	BLACK BLACK	4
OPEN		5



$\varnothing 0.266$  (8) THROUGH HOLES ON A 3.500 B.C.  
0.400 DIA. x 0.25 DEEP CTR BORE  
ON A 3.500 BOLT CIRCLE.



SPECIFICATIONS:

Rated Capacity, tension and or compression	20,000 pounds
Rated Output, Typical (Tension produces + output)	2 mV/V
Combined error	<0.05 % F.S.
Non-repeatability	0.02 % F.S.
Zero Balance	1 % R.O.
Temperature Range, Compensated	50° F to 150° F
Temperature Effect, Output	0.0008 % of load / ° F
Temperature Effects, Zero Balance	0.0015 % / R.O. / ° F
Temperature Range, Useable	-65° F to 200° F
Bridge Impedance, Typical	700 ohms
Excitation Voltage, Typical	10 VDC or VAC rms
Excitation Voltage, Maximum	15 VDC or VAC rms
Insulation Resistance	> 5,000 megohms at 50 VDC
Overload, Safe	30,000 pounds
Overload, Ultimate	Less than than 40,000 pounds
Construction	Alloy steel



TURCK RK 4.5T-4/S818, ORDER NO. (4245-222)

Western Regional Strain Gage committee color code (W.R.S.G.C.):

Red	+ Excitation
Black	- Excitation
Green	+ Signal
White	- Signal
Shield	Floats at cell

TOLERANCES UNLESS OTHERWISE SPECIFIED:

XXX = ± 0.005  
XX = ± 0.015  
X = ± 0.025

SCALE: FULL

FINISH: BLACK PAINT  
MATERIAL: ALLOY STEEL



TOLEDO  
TRANSDUCERS,  
INC.

Designed By: Mettert	Date: 10/15/01	Title / Description: 20,000 POUND FATIGUE RATED LOW PROFILE UNIVERSAL LOAD CELL SPECIFICATIONS	Part No. SS1385P20K-IEC
Drawn By:	Date:	Dwg Size: A	File Name 17970
Approved By:	Date:	Dwg Type: SPEC	Doc. No. 17970