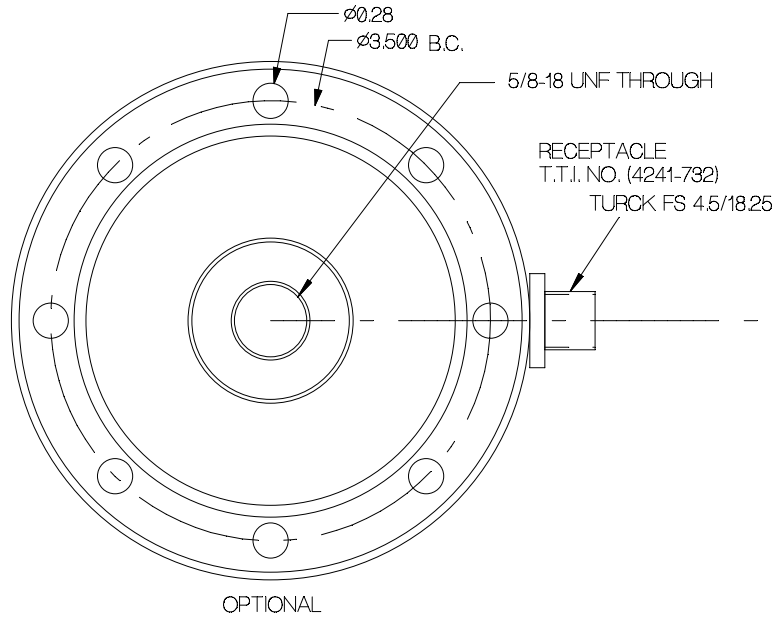
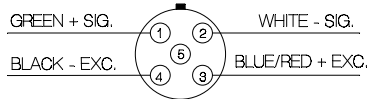


REV	DATE	DESCRIPTION	ECO	SIGN
1	7/8/11	PILOT		BKM

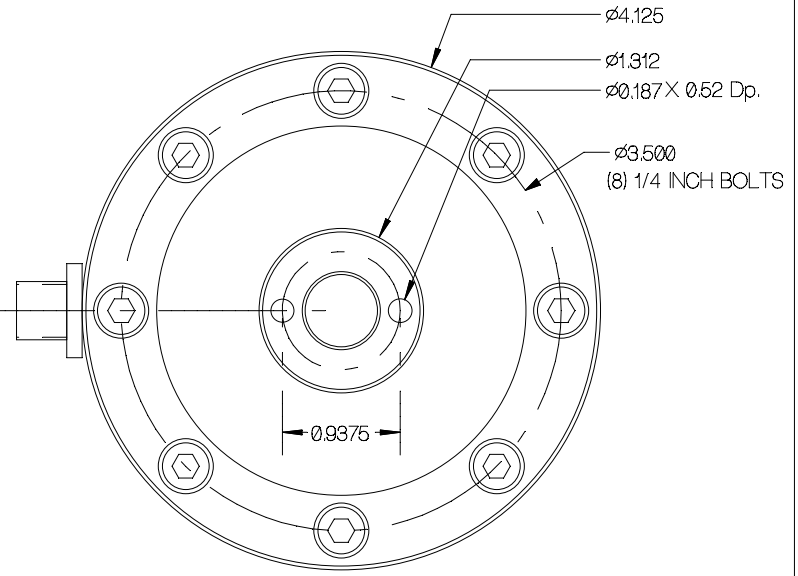
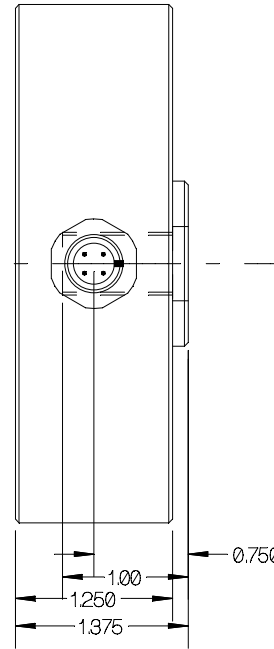


MALE PLUG OR MALE RECEPTACLE  
TURCK FS 4.5/18.25

(REAR RECEPTACLE SIDE)



WIRE COLOR CODE:	W.R.S.G.C.	PIN NO.
+ SIGNAL	BROWN GREEN	1
- SIGNAL	WHITE WHITE	2
+ EXCITATION	BLUE RED	3
- EXCITATION	BLACK BLACK	4
OPEN		5



SPECIFICATIONS:

Rated Capacity, tension and or compression	10,000 pounds
Rated Output, Typical (Tension produces + output)	2 mV/V
Combined error	<math>< 0.05\%</math> F.S.
Non-repeatability	0.01 % F.S.
Zero Balance	1 % R.O.
Temperature Range, Compensated	50° F to 150° F
Temperature Effect, Output	0.0008 % of load / ° F
Temperature Effects, Zero Balance	0.0015 % / R.O. / ° F
Temperature Range, Useable	-65° F to 200° F
Bridge Impedance, Typical	700 ohms
Excitation Voltage, Typical	10 VDC or VAC rms
Excitation Voltage, Maximum	15 VDC or VAC rms
Insulation Resistance	> 5,000 megohms at 50 VDC
Overload, Safe	20,000 pounds
Overload, Ultimate	Less than than 30,000 pounds
Construction	Alloy steel



TURCK RK 4.5T-4/S818, ORDER NO. (4245-222)

Western Regional Strain Gage committee color code (W.R.S.G.C.):

Red	+ Excitation
Black	- Excitation
Green	+ Signal
White	- Signal
Shield	Floats at cell

TOLERANCES UNLESS OTHERWISE SPECIFIED:

XXX =  $\pm 0.005$   
XX =  $\pm 0.015$   
X =  $\pm 0.025$

SCALE: FULL

FINISH: BLACK PAINT  
MATERIAL: ALLOY STEEL



Designed By: Mettert

Date: 10/15/01

Title / Description:  
10KLB FATIGUE RATED  
LOW PROFILE UNIVERSAL  
LOAD CELL SPECIFICATIONS

Part No. SS1385-10KLB

Drawn By:

Date:

File Name

Approved By:

Date:

Dwg Size: A  
Dwg Type: SPEC

Doc. No.