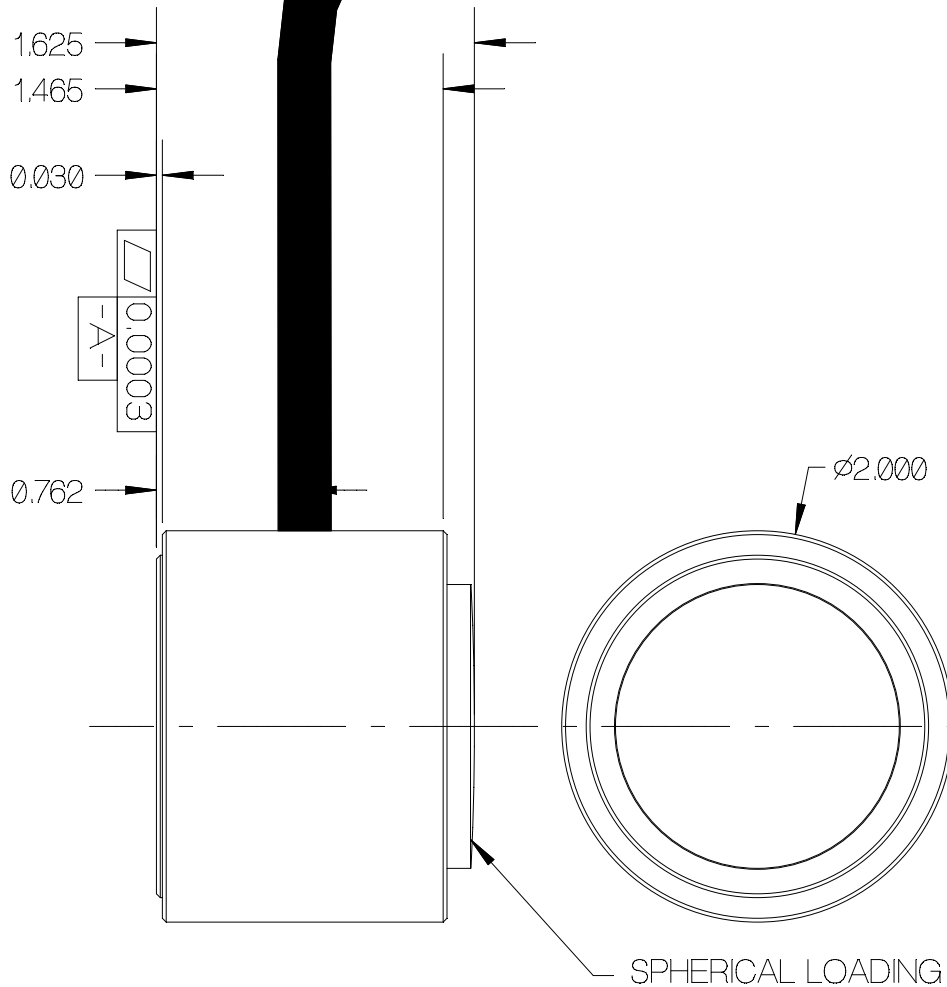


| REV | DATE | DESCRIPTION | ECO | SIGN |
|-----|------|-------------|-----|------|
| | | | | |
| | | | | |

10 FOOT 6 COND. SENSOR CABLE Ø.29 INCH DIAMETER.



SPECIFICATIONS:

| | |
|--|---------------------------|
| Rated Capacity | 30,000 pounds |
| Rated Output, MATCHED 0.1% | 1.5 mV/V |
| Combined error, (non-linearity & hysteresis) | 0.25 % F.S. |
| Non-repeatability | 0.02 % F.S. |
| Zero Balance | 1 % R.O. |
| Temperature Range, Compensated | 50 F to 120 F |
| Temperature Effect, Output | 0.0015 % of load / F |
| Temperature Effects, Zero Balance | 0.005 % / R.O. / F |
| Bridge Impedance, Typical | 350 ohms |
| Excitation Voltage, Typical | 10 VDC or VAC rms |
| Excitation Voltage, Maximum | 15 VDC or VAC rms |
| Insulation Resistance | > 5,000 megohms at 50 VDC |
| Overload, Safe | 400 % over capacity |
| Overload, Ultimate | 600 % over capacity |
| Construction | STAINLESS STEEL |

WIRE COLOR CODE:

| | |
|--------------|----------------|
| + EXCITATION | WHITE |
| + SENSE | GREEN |
| - EXCITATION | BLUE |
| - SENSE | RED |
| + SIGNAL | GREEN |
| - SIGNAL | BLACK |
| SHIELD | FLOATS AT CELL |

TOLERANCES UNLESS OTHERWISE SPECIFIED:

XXX = ± 0.005
XX = ± 0.015
X = ± 0.025

SCALE: FULL

FINISH: 32 MICRO INCH OR LESS
M.A.T'L: 17-4 PH STAINLESS STEEL
HARDNESS: H900 (Rc 40-46)



TOLEDO
TRANSDUCERS,
INC.

Designed By: METTERT

Drawn By:

Approved By:

Date: 9/18/01

Date:

Date:

Title / Description:
SS1379-30KLB LOW PROFILE
LOAD CELL SPECIFICATIONS

Dwg. Size: A
Dwg. Type: SPEC

Part No. SS1379-30KLB
File Name 12367SP.FCD

Doc. No. 12367