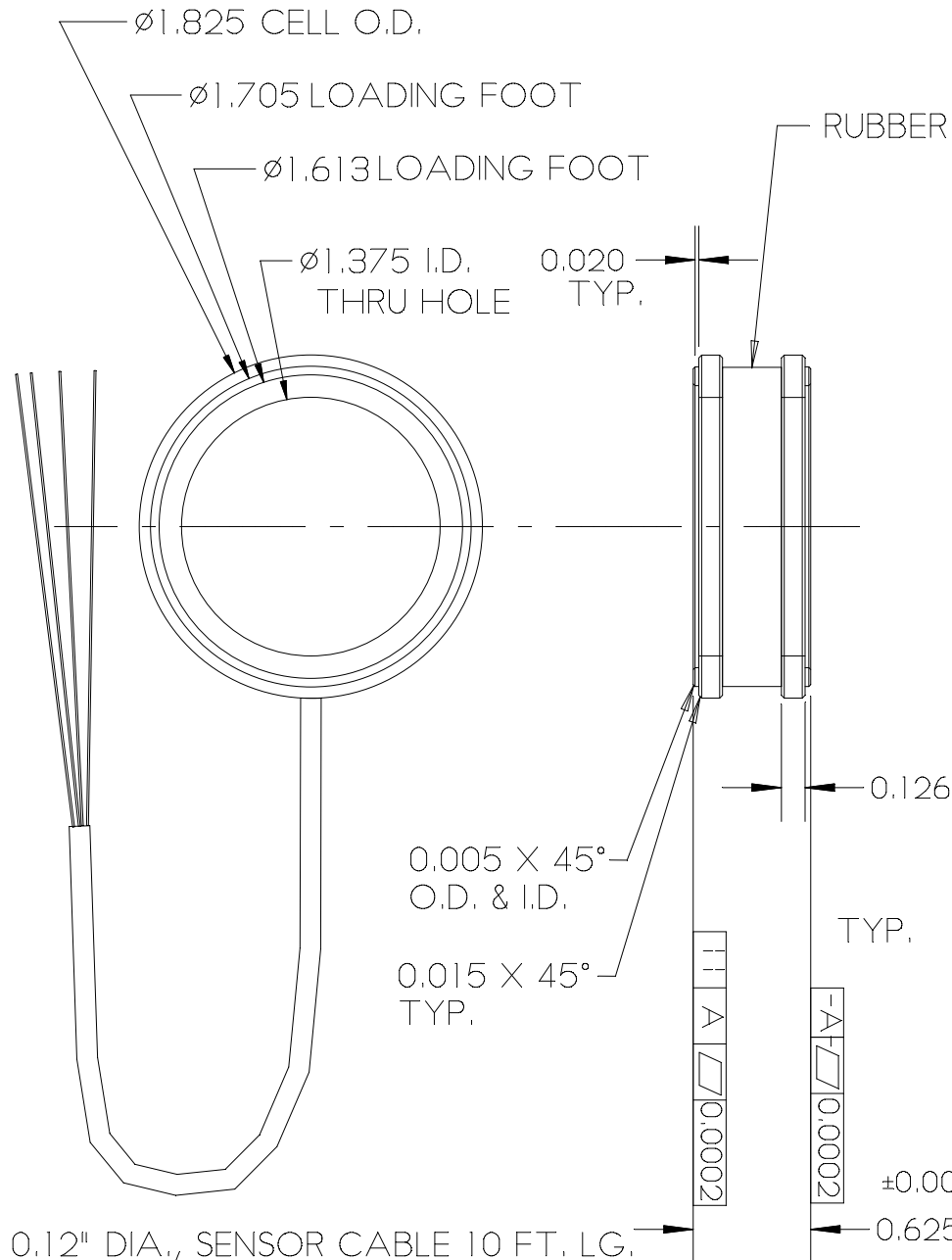


REV	DATE	DESCRIPTION	ECO	SIGN
1	7/21/14	RELEASE TO PILOT	1349	MJH



SPECIFICATIONS:

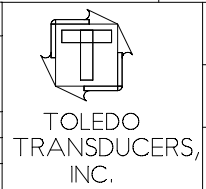
Rated Capacity	8,000 pounds
Rated Output calibrated to 4,000LB	1 mV/V
Combined error	0.25 % F.S.
Non-repeatability	0.05 % F.S.
Zero Balance	1 % R.O.
Temperature Range, Compensated	50 F to 120 F
Temperature Effect, Output	0.0008 % of load / ° F
Temperature Effects, Zero Balance	0.02 % / R.O. / ° F
Bridge Impedance, Typical	1,000 ohms
Excitation Voltage, Typical	10 VDC or VAC rms
Excitation Voltage, Maximum	15 VDC or VAC rms
Insulation Resistance	> 5,000 megohms at 50 VDC
Overload, Safe	150 % over capacity
Overload, Ultimate	200 % over capacity
Deflection at Rated Capacity, Approximate	0.002 inch
Construction	Tool steel

Cable color code:

Green	+ Excitation
Black	- Excitation
White	+ Signal
Red	- Signal
Shield	< 1 OHM at cell

0.12" DIA., SENSOR CABLE 10 FT. LG.

TOLERANCES UNLESS OTHERWISE SPECIFIED:	
0.XXX = ± 0.005	SCALE: FULL
0.XX = ± 0.015	
0.X = ± 0.025	
FINISH: NO MACHINE MARKS	
MAT'L: A2	
HARDNESS: Rc 40-46	



Designed By: Mettert	Date: 11/02/01
Drawn By:	Date:
Approved By:	Date:

Title / Description:	
SS1366 8,000 POUND DOUGHNUT LOAD CELL SPECIFICATIONS	
Dwg. Size: A	Dwg. Type: SPEC
Page 1 of 1	

Part No. SS1366-8K
File Name 17483SP.FCD
Doc. No. 17483