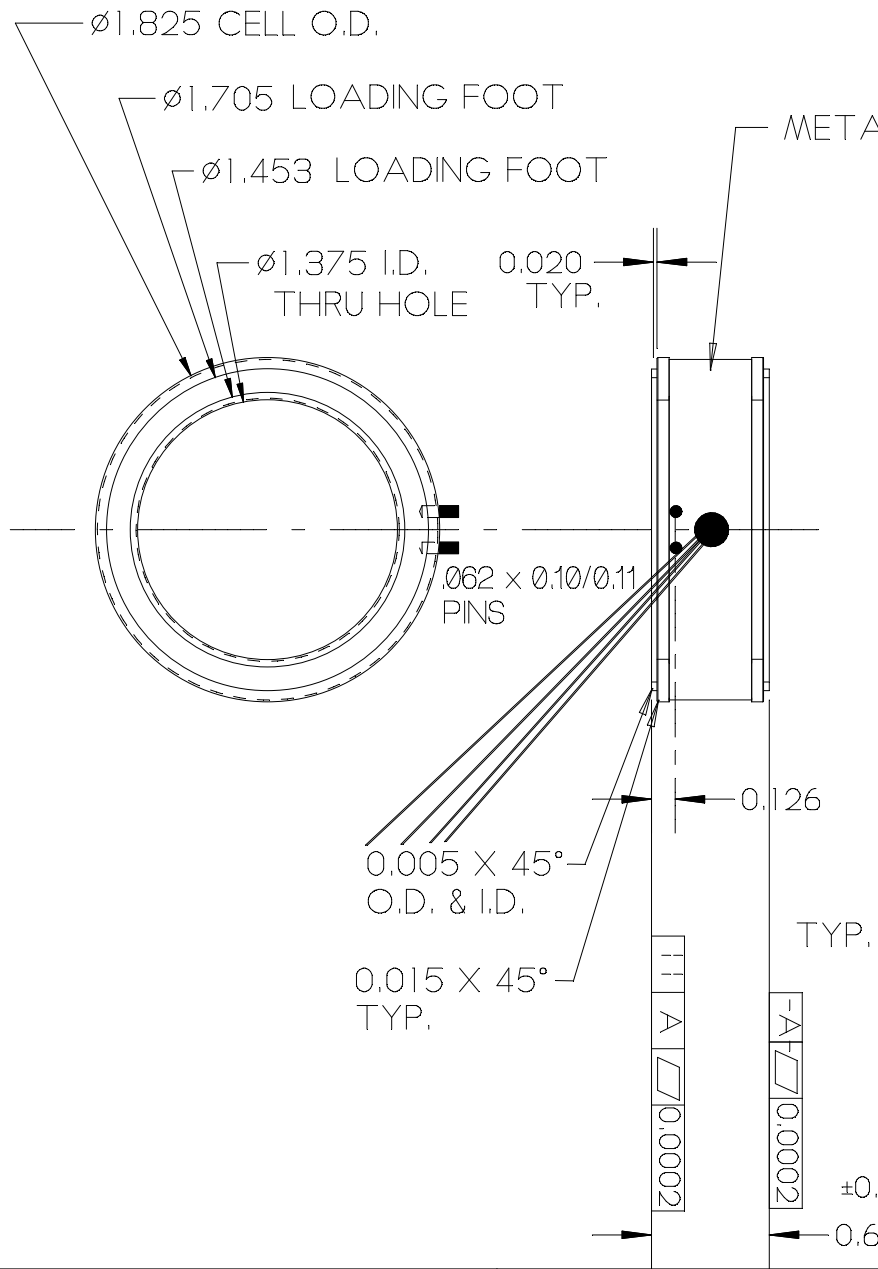


REV	DATE	DESCRIPTION	ECO	SIGN
1	6/19/19	RELEASE TO PILOT		BKM



Rated Capacity	1,000 pounds
Calibrated to	700 LBF
Rated Output	0.70 mV/V
Rated Capacity *	2,000 pounds
Calibrated to *	1,000 LBF
Rated Output	1.40 mV/V
Combined error	0.25 % F.S.
Non-repeatability	0.05 % F.S.
Zero Balance	1 % R.O.
Temperature Range, Compensated	50 F to 120 F
Temperature Effect, Output	0.0008 % of load / °F
Temperature Effects, Zero Balance	0.02 % / R.O. / °F
Bridge Impedance, Typical	1,000 ohms
Excitation Voltage, Typical	10 VDC or VAC rms
Excitation Voltage, Maximum	15 VDC or VAC rms
Insulation Resistance	> 5,000 megohms at 50 VDC
Overload, Safe	300 % over capacity
Overload, Ultimate	600 % over capacity
Deflection at Rated Capacity, Approximate	0.002 inch
Overload, Safe *	200 % over capacity
Overload, Ultimate	400 % over capacity
Deflection at Rated Capacity, Approximate	0.002 inch

Construction	Tool steel
Cable color code:	
Green	+ Excitation
Black	- Excitation
White	+ Signal
Red	- Signal

TOLERANCES UNLESS OTHERWISE SPECIFIED:
 0.XXX = ± 0.005
 0.XX = ± 0.015
 0.X = ± 0.025
 FINISH: NO MACHINE MARKS
 MAT'L: A2
 HARDNESS: Rc 40-46



Designed By: Metter
 Drawn By:
 Approved By:

Date: 6/19/19
 Date:
 Date:

Title / Description:
 SS1366-K 4k & 6K POUND
 DOUGHNUT LOAD CELL
 SPECIFICATIONS 45
 Dwg. Size: A
 Dwg. Type: SPEC

Part No. SS1366-4K & 6K
 File Name 18129
 Doc. No. 18065