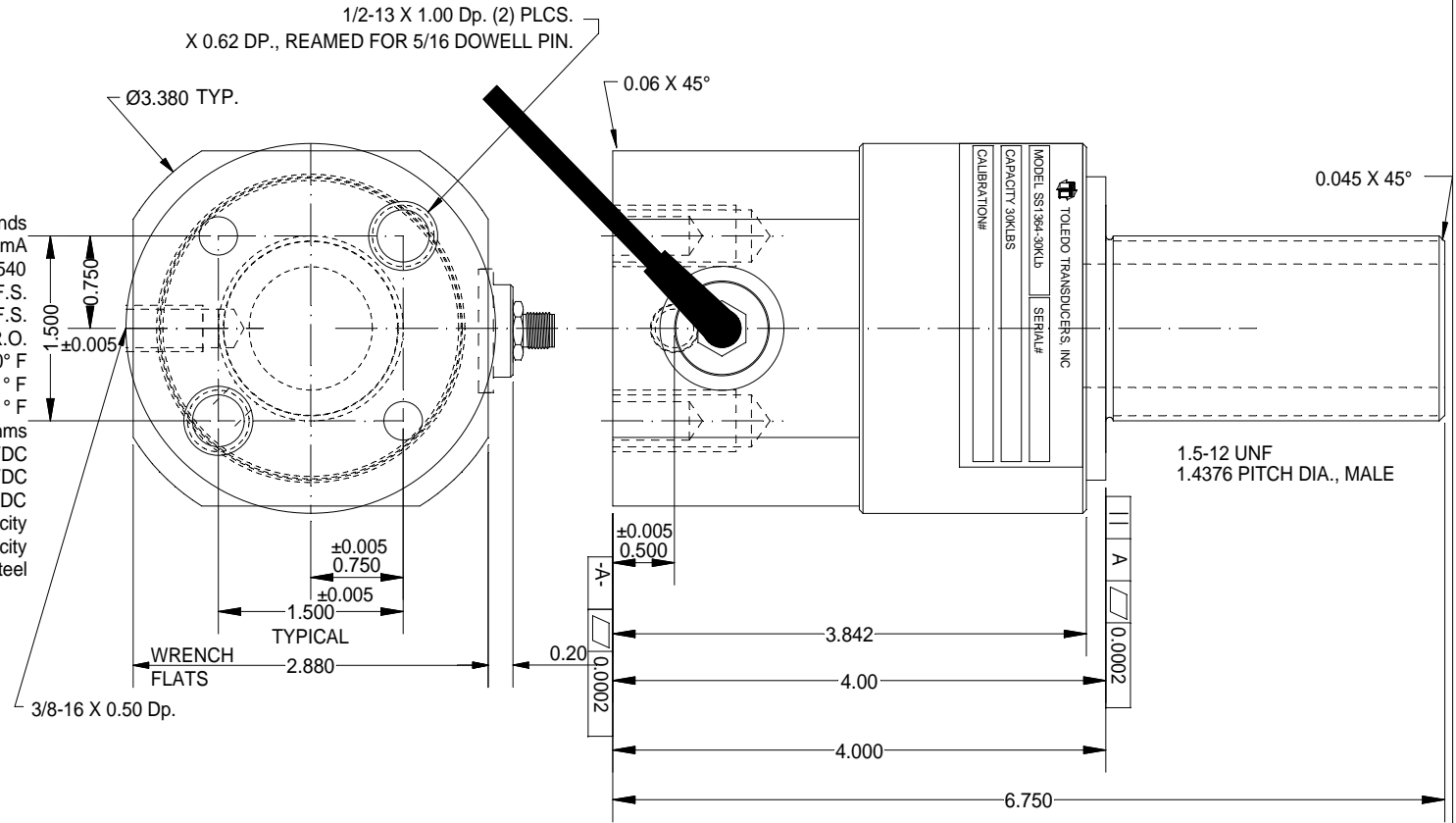
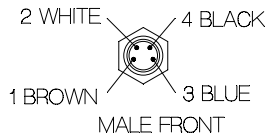


REV	DATE	DESCRIPTION	ECO	SIGN
1	6/27/01	PILOT		BKM
2	10/10/14	REVERSED 1.000 HOLE DIRECTION, 1.250 O.D. PLUG SAME HOLE, O.A.L. WAS 5 IN, ADDED WRENCH FLATS.		BKM
3	10/23/17	REMOVED WRENCH FLATS, ADDED 4-20 mA OUTPUT WITH M8 CORDSET		BKM

SPECIFICATIONS:

Rated Capacity	30,000 pounds
Rated Output, typical	4-20 mA
Calibration, Compression Accredited ISO/IEC 17025 NCSLI Z540	
Combined error	0.25 % F.S.
Non-repeatability	0.05 % F.S.
Zero Balance	1 % R.O.
Temperature Range, Compensated	50° F to 120° F
Temperature Effect, Output	0.005 % of load / ° F
Temperature Effects, Zero	0.005 % / R.O. / ° F
Bridge Impedance, Typical	700 ohms
Excitation Voltage, Typical	12 VDC
Excitation Voltage, Maximum	32 VDC
Insulation Resistance	> 5,000 megohms at 50 VDC
Overload, Safe	300 % over capacity
Overload, Ultimate	500 % over capacity
Construction	Alloy Steel

WIRE CODE:	TURCK COLOR	PIN NO.
N/C	BROWN	1
GROUND	WHITE	2
+ OUTPUT	BLUE	3
+ SUPPLY	BLACK	4



 TOLEDO TRANSDUCERS, INC.	Designed By: Mettert	Date: 6/27/01	Title / Description: SS1364mA-30K, 436-T PUNCH HOLDER LOAD CELL SPECIFICATIONS	Part No. SS1364mA-30K
	Drawn By:	Date:		File Name 11746-436-T
	Approved By:	Date:	Dwg. Size: A Dwg. Type: SPEC	Doc. No. 11746-436-T