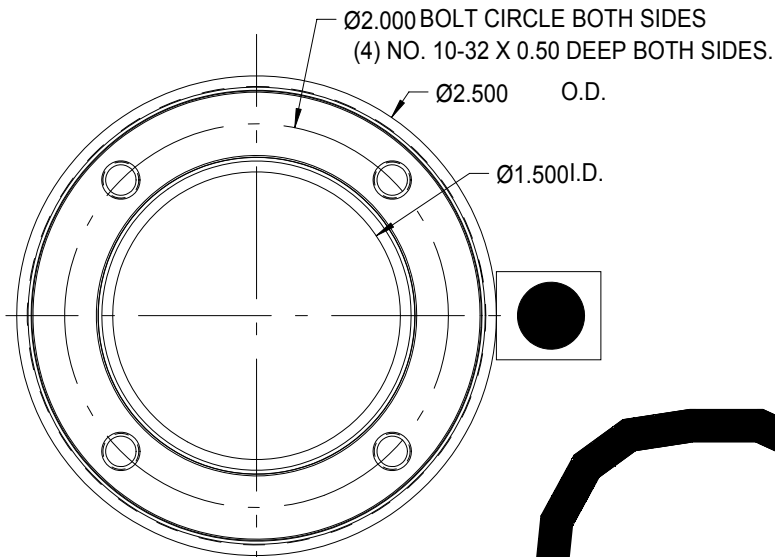


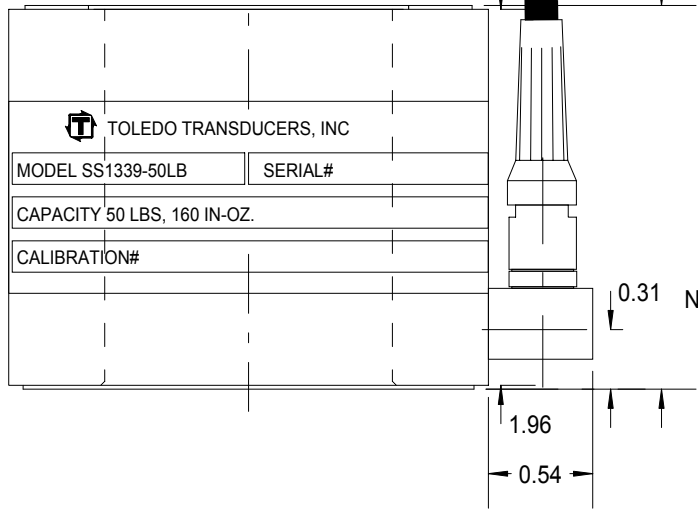
REV	DATE	DESCRIPTION	ECO	SIGN
1	12/14/00	RELEASE TO PILOT	997	RAB



SPECIFICATIONS:

RATED AXIAL FORCE CAPACITY	50 POUNDS
RATED TORQUE CAPACITY	160 IN-OZ
RATED OUTPUT	2 mV/V typical
Uncertainty Calculated according to ASTM E74	± 0.01 %
NON-REPEATABILITY	< 0.01 %
ZERO BALANCE	± 10 %
TEMPERATURE RANGE, COMPENSATED	+60 TO 160° F
TEMPERATURE EFFECT, OUTPUT	0.05 % of Load / 100° F
TEMPERATURE EFFECT, ZERO BALANCE	0.1 of Rated Capacity / 100°F
INPUT IMPEDANCE	400 OHMS, typical
OUTPUT IMPEDANCE	350 OHMS, typical
EXCITATION VOLTAGE (typical)	10 VDC or VAC rms
EXCITATION VOLTAGE, MAXIMUM	15 VDC or VAC rms
INSULATION RESISTANCE	5,000 MEG OHMS @ 50 VDC
MAXIMUM LOAD, SAFE	150 % F.S.
MAXIMUM LOAD, ULTIMATE	300 % F.S.
DEFLECTION AT RATED CAPACITY, APPROXIMATE	0.003 in.
RADIAL DEFLECTION AT RATED CAPACITY, APPROXIMATE	0.172°
CONSTRUCTION	ALLOY ALUMNINUM

CABLE DIAMETER SHOWN IS 0.170. ALPHA or EQ. NO. 3306.
 CABLE DIAMETER MAY REDUCE IN SIZE WITHOUT NOTICE.
 STANDARD CABLE LENGTH IS 10 FEET.



TOLEDO TRANSDUCERS, INC

MODEL SS1339-50LB SERIAL#

CAPACITY 50 LBS, 160 IN-OZ.

CALIBRATION#

NON-RETRACTABLE 90° STRAIN RELIEF.

WIRE COLOR CODE: Base/Stripe

+ EXCITATION	Green
- EXCITATION	Black
+ SIGNAL, F	White
- SIGNAL, F	Red
+ SIGNAL, T	Blue
- SIGNAL, T	Orange
SHIELD	OPEN

TOLERANCES UNLESS OTHERWISE SPECIFIED:

.XXX = ± 0.005

.XX = ± 0.015

.X = ± 0.025

SCALE: FULL

FINISH: 32 MICRO INCH OR LESS

MAT'L: ALUMINUM

HARDNESS:



Designed By: **Mettert**

Date: **11/29/00**

Title / Description:
SS1339-50LB, 160 IN-OZ.

Part No. **SS1339-50LB**

Drawn By:

Date:

FORCE, TORQUE LOAD CELL

File Name **12261SP.FCD**

Approved By:

Date:

Dwg. Size: **A**

Dwg. Type: **SPEC**

Page 1 of 1

Doc. No. **12261**