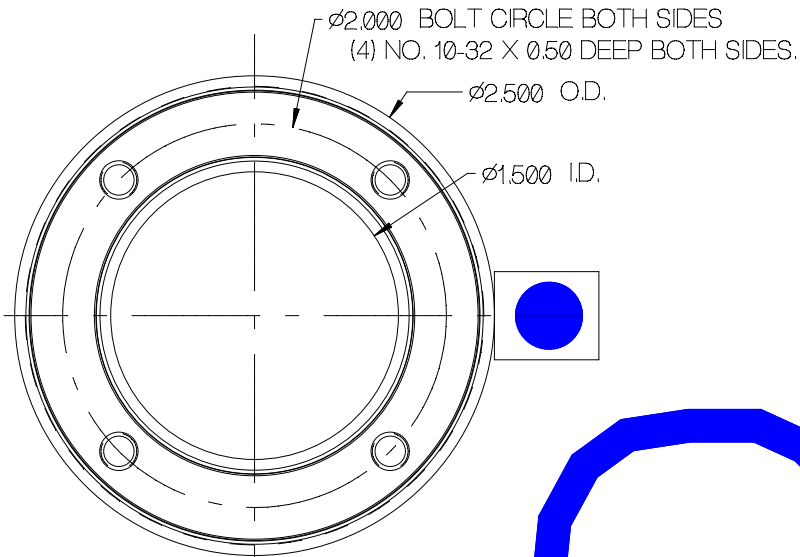


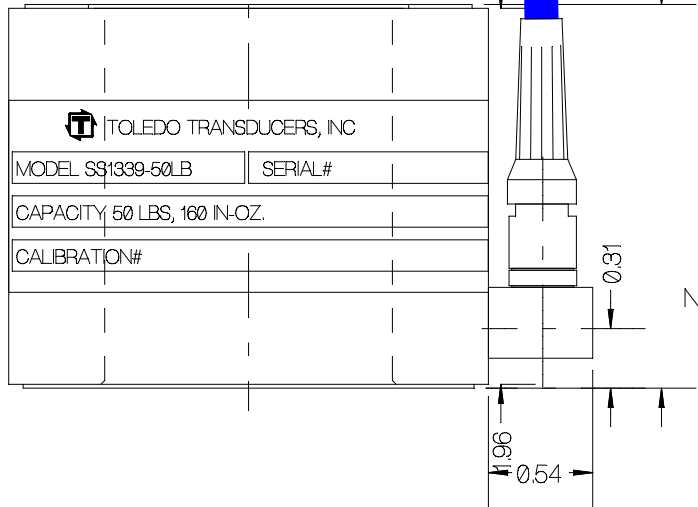
REV	DATE	DESCRIPTION	ECO	SIGN



SPECIFICATIONS:

RATED AXIAL FORCE CAPACITY	50 POUNDS
RATED TORQUE CAPACITY	160 IN-OZ
RATED OUTPUT	2 mV/V typical
Uncertainty Calculated according to ASTM E74	± 0.01 %
NON-REPEATABILITY	< 0.01 %
ZERO BALANCE	± 10 %
TEMPERATURE RANGE, COMPENSATED	+60 TO 160° F
TEMPERATURE EFFECT, OUTPUT	0.05 % of Load / 100° F
TEMPERATURE EFFECT, ZERO BALANCE	0.1 of Rated Capacity / 100° F
INPUT IMPEDANCE	400 OHMS, typical
OUTPUT IMPEDANCE	350 OHMS, typical
EXCITATION VOLTAGE (typical)	10 VDC or VAC rms
EXCITATION VOLTAGE, MAXIMUM	15 VDC or VAC rms
INSULATION RESISTANCE	5,000 MEG OHMS @ 50 VDC
MAXIMUM LOAD, SAFE	150 % F.S.
MAXIMUM LOAD, ULTIMATE	300 % F.S.
DEFLECTION AT RATED CAPACITY, APPROXIMATE	0.003 in.
RADIAL DEFLECTION AT RATED CAPACITY, APPROXIMATE	0.172°
CONSTRUCTION	ALLOY ALUMINUM

CABLE DIAMETER SHOWN IS 0.170. ALPHA or EQ. NO. 3306.
 CABLE DIAMETER MAY REDUCE IN SIZE WITHOUT NOTICE.
 STANDARD CABLE LENGTH IS 10 FEET.



TOLEDO TRANSDUCERS, INC	
MODEL SS1339-50LB	SERIAL#
CAPACITY 50 LBS, 160 IN-OZ.	
CALIBRATION#	

NON-RETRACTABLE 90° STRAIN RELIEF.

WIRE COLOR CODE: Base/Stripe

+ EXCITATION	Green
- EXCITATION	Black
+ SIGNAL, F	White
- SIGNAL, F	Red
+ SIGNAL, T	Blue
- SIGNAL, T	Orange
SHIELD	OPEN

TOLERANCES UNLESS OTHERWISE SPECIFIED:
 XXX = ± 0.005
 XX = ± 0.015
 X = ± 0.025
 SCALE: FULL
 FINISH: 32 MICRO INCH OR LESS
 M A T'L: ALUMINUM
 HARDNESS:



Designed By: Mettert
 Drawn By:
 Approved By:

Date: 11/29/00
 Date:
 Date:

Title / Description:
 SS1339-50LB, 160 IN-OZ.
 FORCE, TORQUE LOAD CELL
 Dwg Size: A
 Dwg. Type: SPEC
 Page 1 of 1

Part No. SS1339-50LB
 File Name 12261SP.FCD
 Doc. No. 12261