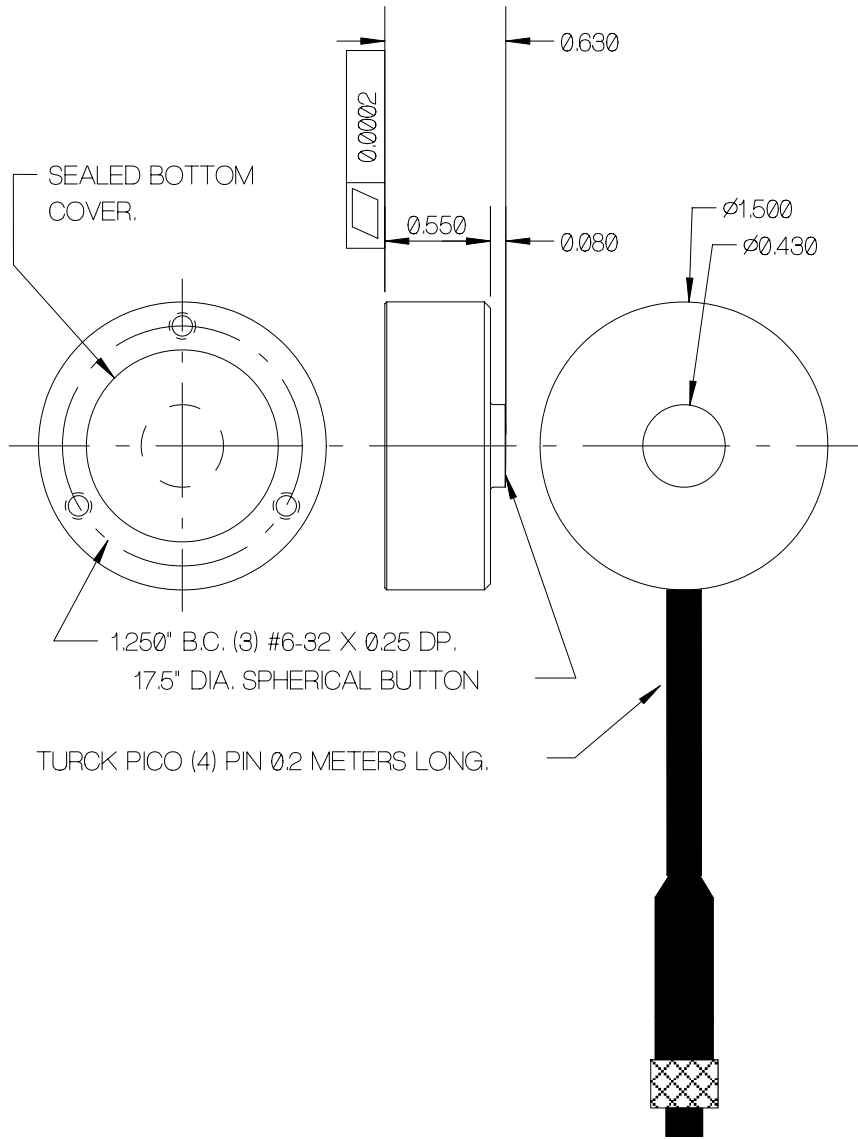


REV	DATE	DESCRIPTION	ECO	SIGN
1	6/21/00	RELEASE TO PILOT	928	RAB



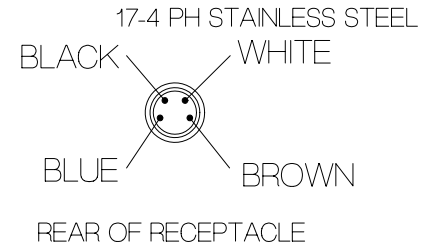
SEALED BOTTOM COVER.

1.250" B.C. (3) #6-32 X 0.25 DP.
17.5" DIA. SPHERICAL BUTTON

TURCK PICO (4) PIN 0.2 METERS LONG.

SPECIFICATIONS:

RATED CAPACITY	5,000 POUNDS
RATED OUTPUT	2 mV/V typical
COMBINED ERROR	± 0.15 %
NON-REPEATABILITY	< 0.05 %
ZERO BALANCE	± 10 %
TEMPERATURE RANGE, COMPENSATED	+60 TO 160° F
TEMPERATURE EFFECT, OUTPUT	0.0008 % of Load / ° F
TEMPERATURE EFFECT, ZERO BALANCE	Not rated
INPUT IMPEDANCE	390 OHMS, typical
OUTPUT IMPEDANCE	350 OHMS, typical
EXCITATION VOLTAGE (typical)	10 VDC or VAC rms
EXCITATION VOLTAGE, MAXIMUM	15 VDC or VAC rms
INSULATION RESISTANCE	5,000 MEG OHMS @ 50 VDC
MAXIMUM LOAD, SAFE	200 % F.S.
MAXIMUM LOAD, ULTIMATE	300 % F.S.
DEFLECTION AT RATED CAPACITY, APPROXIMATE	0.007 in.
CONSTRUCTION	



WIRE COLOR CODE:	PIN NO.
+EXCITATION	BROWN 1
-SIGNAL	WHITE 2
-EXCITATION	BLUE 3
+ SIGNAL	BLACK 4
1 WIRE	GRAY 5

TRIM TO FIT.

TURCK PKGM-4/S90/S618, ORDER NO. (4247-222)

TOLERANCES UNLESS OTHERWISE SPECIFIED:

XXX = ± 0.005
XX = ± 0.015
X = ± 0.025

SCALE: FULL



Designed By: Mettert

Date: 6/12/00

Title / Description:
SS1330-5KLB LOAD BUTTON
SPECIFICATIONS

Part No. SS1330-5K-IEC-TAIL

Drawn By:

Date:

File Name

Approved By:

Date:

Dwg. Size: A
Dwg. Type: SPEC

Doc. No.

MAT'L: 17-4 PH STAINLESS STEEL