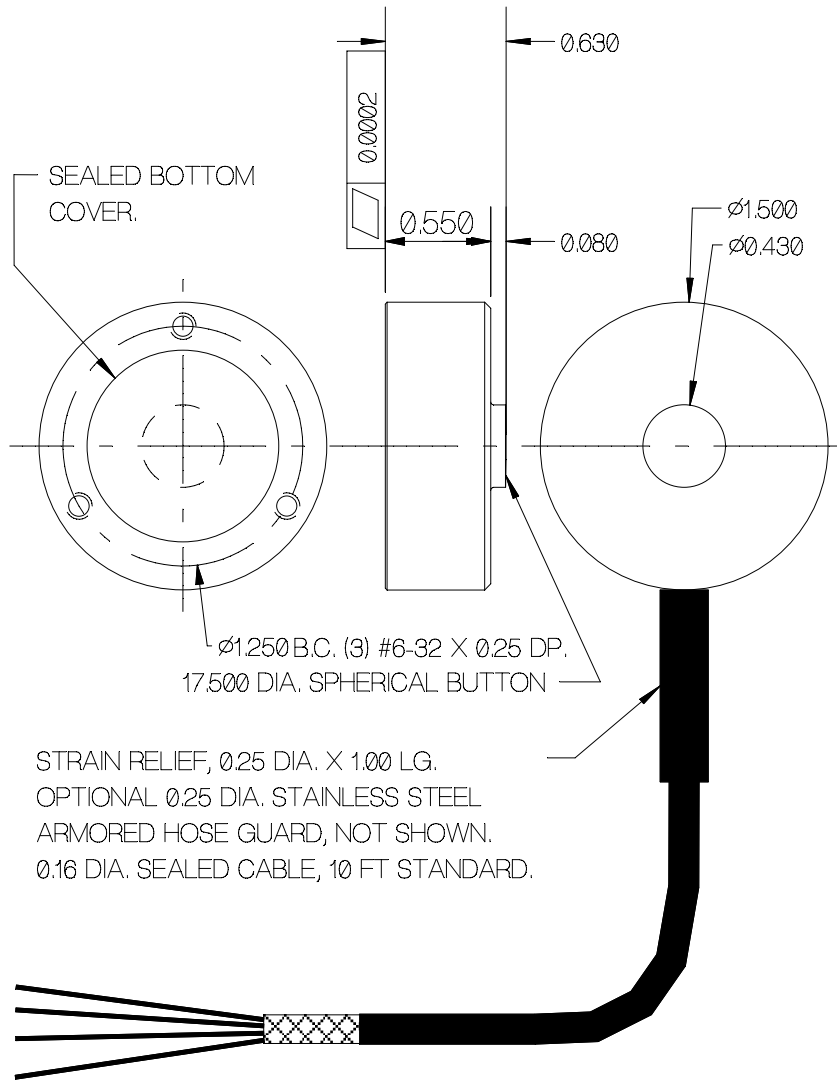


REV	DATE	DESCRIPTION	ECO	SIGN
1				



OPTIONAL 0.25 DIA. STAINLESS STEEL ARMORED HOSE GUARD, NOT SHOWN.  
0.16 DIA. SEALED CABLE, 10 FT STANDARD.

SPECIFICATIONS:

RATED CAPACITY	2,000 POUNDS
RATED OUTPUT	2 mV/V typical
COMBINED ERROR	± 0.15 %
NON-REPEATABILITY	< 0.05 %
ZERO BALANCE	± 10 %
TEMPERATURE RANGE, COMPENSATED	+60 TO 160° F
TEMPERATURE EFFECT, OUTPUT	0.0008 % of Load / ° F
TEMPERATURE EFFECT, ZERO BALANCE	Not rated
INPUT IMPEDANCE	390 OHMS, typical
OUTPUT IMPEDANCE	350 OHMS, typical
EXCITATION VOLTAGE (typical)	10 VDC or VAC rms
EXCITATION VOLTAGE, MAXIMUM	15 VDC or VAC rms
INSULATION RESISTANCE	5,000 MEG OHMS @ 50 VDC
MAXIMUM LOAD, SAFE	150 % F.S.
MAXIMUM LOAD, ULTIMATE	300 % F.S.
DEFLECTION AT RATED CAPACITY, APPROXIMATE	0.007 in.
CONSTRUCTION	17-4 PH STAINLESS STEEL

WIRE COLOR CODE:

+ EXCITATION	GREEN
- EXCITATION	BLACK
+ SIGNAL	WHITE
- SIGNAL	RED
SHIELD	DRAIN

TOLERANCES UNLESS OTHERWISE SPECIFIED:

XXX = ± 0.005  
XX = ± 0.015  
X = ± 0.025

SCALE: FULL



TOLEDO  
TRANSDUCERS,  
INC.

Designed By: Mettert

Date: 6/12/00

Title / Description:  
SS1330-2KLB LOAD BUTTON  
SPECIFICATIONS

Part No. SS1330-2K

Drawn By:

Date:

File Name 13783SP.FCD

Approved By:

Date:

Dwg.Size: A  
Dwg. Type: SPEC

Doc. No. 13783

MAT'L: 17-4 PH STAINLESS STEEL