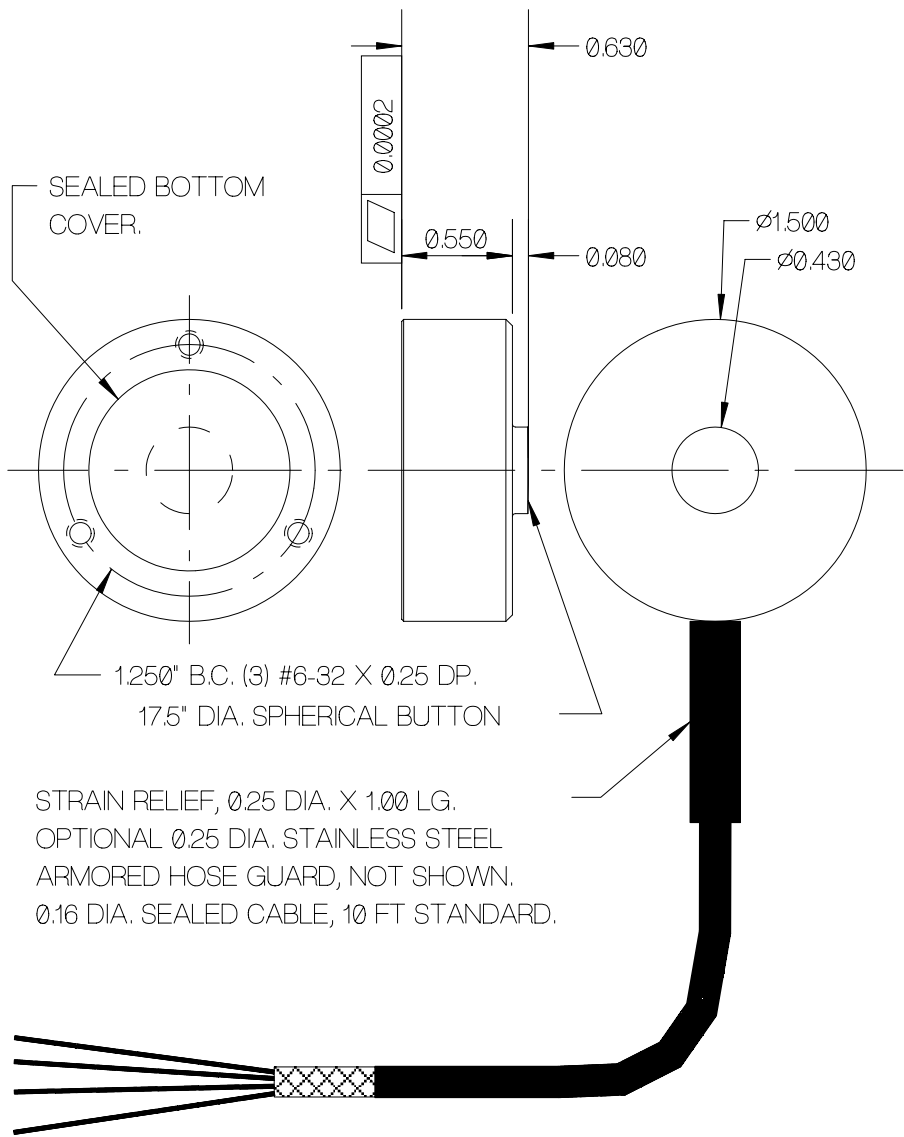


REV	DATE	DESCRIPTION	ECO	SIGN
1	6/21/00	RELEASE TO PILOT	928	RAB



SPECIFICATIONS:

RATED CAPACITY	10,000 POUNDS
RATED OUTPUT	2 mV/V typical
COMBINED ERROR	± 0.15 %
NON-REPEATABILITY	< 0.05 %
ZERO BALANCE	± 10 %
TEMPERATURE RANGE, COMPENSATED	+60 TO 160° F
TEMPERATURE EFFECT, OUTPUT	0.0008 % of Load / ° F
TEMPERATURE EFFECT, ZERO BALANCE	Not rated
INPUT IMPEDANCE	390 OHMS, typical
OUTPUT IMPEDANCE	350 OHMS, typical
EXCITATION VOLTAGE (typical)	10 VDC or VAC rms
EXCITATION VOLTAGE, MAXIMUM	15 VDC or VAC rms
INSULATION RESISTANCE	5,000 MEG OHMS @ 50 VDC
MAXIMUM LOAD, SAFE	150 % F.S.
MAXIMUM LOAD, ULTIMATE	300 % F.S.
DEFLECTION AT RATED CAPACITY, APPROXIMATE	0.007 in.
CONSTRUCTION	17-4 PH STAINLESS STEEL

WIRE COLOR CODE:

+ EXCITATION	GREEN
- EXCITATION	BLACK
+ SIGNAL	WHITE
- SIGNAL	RED
SHIELD	DRAIN

TOLERANCES UNLESS OTHERWISE SPECIFIED:	
XXX = ± 0.005	SCALE: FULL
.XX = ± 0.015	
.X = ± 0.025	
MAT'L: 17-4 PH STAINLESS STEEL	



Designed By:	Mettert
Drawn By:	
Approved By:	

Date:	6/12/00
Date:	
Date:	

Title / Description:		
SS1330-10KLB LOAD BUTTON SPECIFICATIONS		
Dwg. Size:	Dwg. Type:	
A	SPEC	

Part No.	SS1330-10K
File Name	12200SP.FCD
Doc. No.	12200