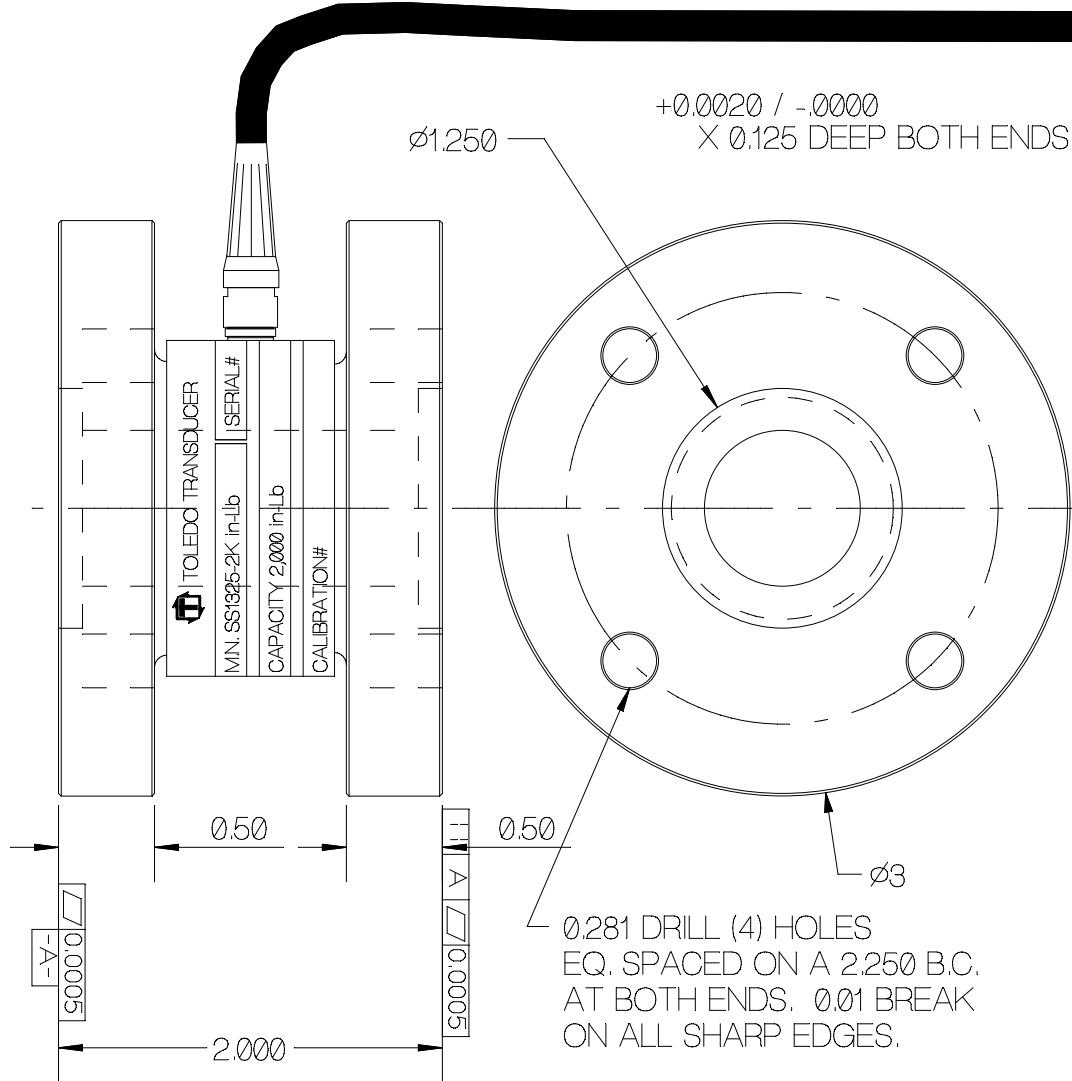


REV	DATE	DESCRIPTION	ECO	SIGN

10 FOOT LONG CABLE



SPECIFICATIONS:

Rated Capacity	2,000 inch-pounds
Rated Output, typical	2 mV/V
Combined error	0.1 % F.S.
Non-repeatability	0.05 % F.S.
Zero Balance	1 % R.O.
Temperature Range, Compensated	50 F to 120 F
Temperature Effect, Output	0.005 % of load / F
Temperature Effects, Zero Balance	0.005 % / R.O. / F
Bridge Impedance, Typical	350 ohms
Excitation Voltage, Typical	10 VDC or VAC rms
Excitation Voltage, Maximum	15 VDC or VAC rms
Insulation Resistance	> 5,000 megohms at 50 VDC
Overload, Safe	150 % over capacity
Overload, Ultimate	200 % over capacity
Construction	Aluminum

Cable color code:

Red	+ Excitation
Black	- Excitation
Green	+ Signal
White	- Signal
Shield	Floats at cell

TOLERANCES UNLESS OTHERWISE SPECIFIED:
 XXX = ± 0.005
 XX = ± 0.015
 X = ± 0.025
 FINISH: 32 MICRO INCH OR LESS



Designed By: Mettert
 Drawn By:
 Approved By:

Date: 3/14/00
 Date:
 Date:

Title / Description:
 SS1325 2,000 IN-LB
 RADIAL FORCE
 SPECIFICATIONS
 Dwg Size: A
 Dwg. Type: SPEC
 Page 1 of 1

Part No. SS1325-2,000 IN-LB
 File Name 11565SP.FCD
 Doc. No. 11565