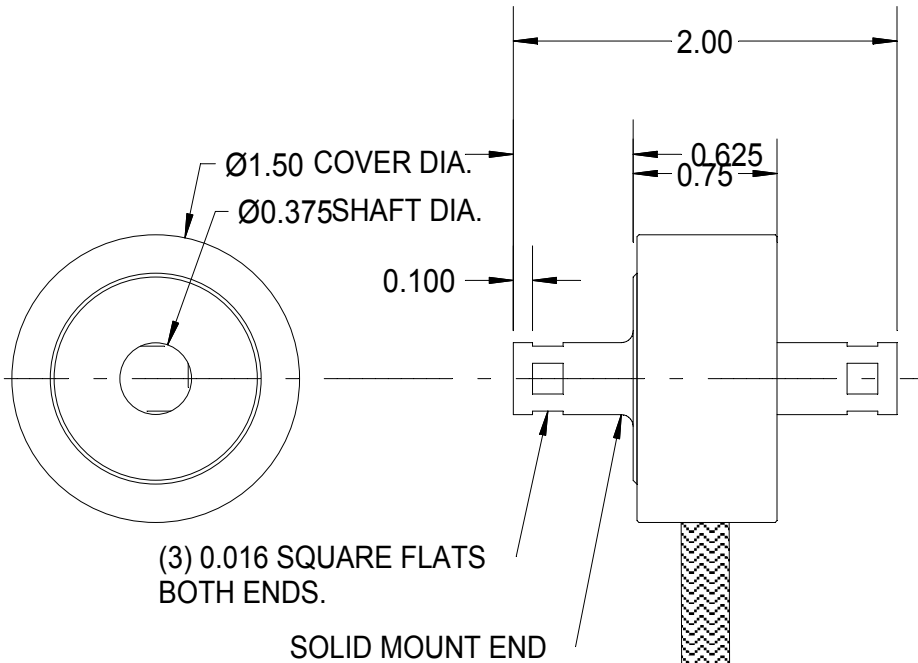


REV	DATE	DESCRIPTION	ECO	SIGN



(3) 0.016 SQUARE FLATS  
BOTH ENDS.

SOLID MOUNT END

**SPECIFICATIONS:**

Rated Capacity	100 inch-pounds
Rated Output, typical	2 mV/V
Combined error	0.1 % F.S.
Non-repeatability	0.05 % F.S.
Zero Balance	1 % R.O.
Temperature Range, Compensated	50 F to 120 F
Temperature Effect, Output	0.0015 % of load / F
Temperature Effects, Zero Balance	0.01 % / R.O. / F
Bridge Impedance, Typical	350 ohms
Excitation Voltage, Typical	10 VDC or VAC rms
Excitation Voltage, Maximum	15 VDC or VAC rms
Insulation Resistance	> 5,000 megohms at 50 VDC
Overload, Safe	150 % over capacity
Overload, Ultimate	200 % over capacity
Deflection at Rated Capacity, Approximate	0.7°
Construction	Aluminum
<b>Cable color code:</b>	
Green	+ Excitation
Black	- Excitation
White	+ Signal
Red	- Signal
Shield	< 1 OHM at cell

10 FEET ARMORED HOSE, SENSOR CABLE IS 1 FOOT LONGER.  
0.25 INCH HOSE DIAMETER

SPADE LUG (4370-837)

**TOLERANCES UNLESS OTHERWISE SPECIFIED:**

.XXX = ± 0.005

.XX = ± 0.015

.X = ± 0.025

SCALE: FULL



TOLEDO  
TRANSDUCERS,  
INC.

Designed By: **Mettert**

Date: **1/26/2000**

Drawn By:

Date:

Approved By:

Date:

Title / Description:  
**SS1309-100 in-Lb. REACTION  
RADIANT FORCE TRANSDUCER  
(NON-ROTATING)**

Dwg. Size:

Dwg. Type:

Page 1 of 1

Part No. **SS1309-100 in-Lb**

File Name **12225SP.FCD**

Doc. No. **12225**