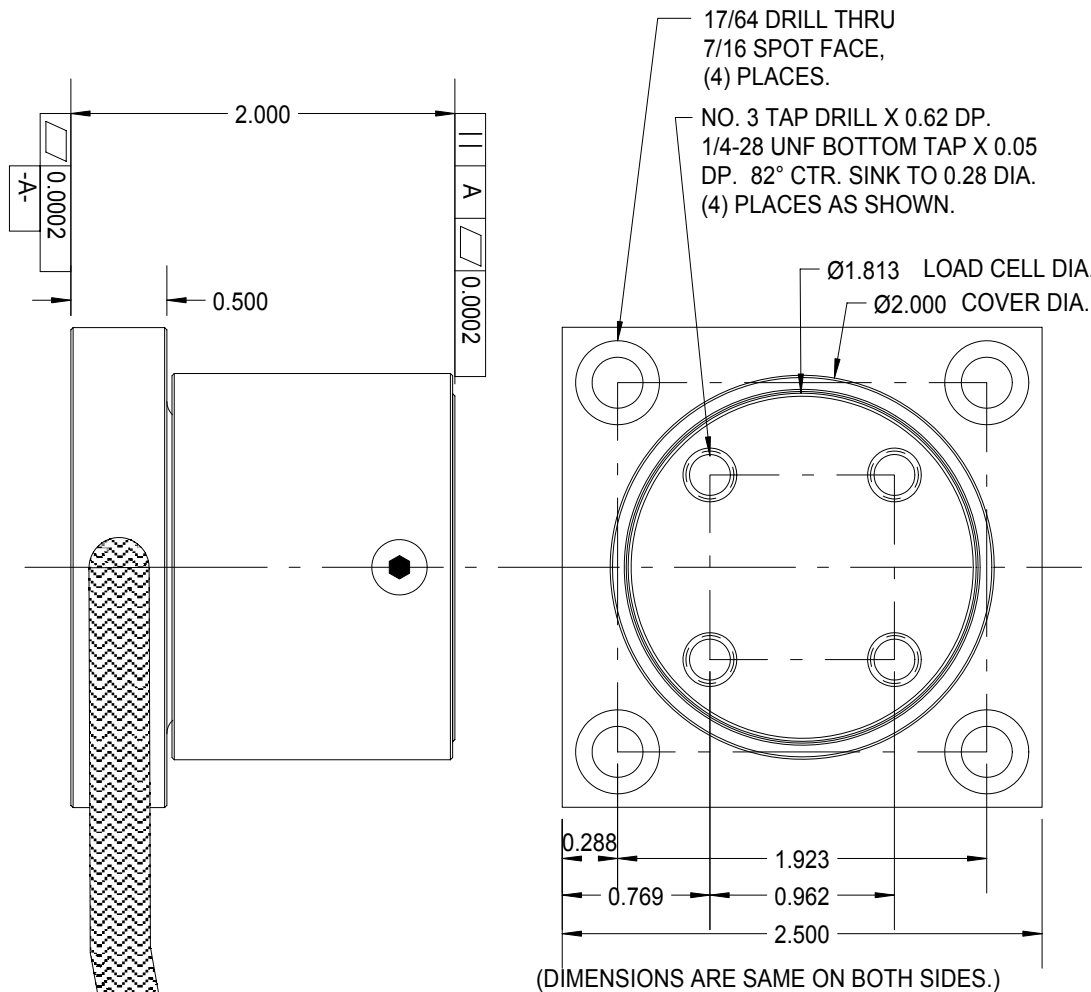


REV	DATE	DESCRIPTION	ECO	SIGN
1	1/28/00	RELEASE TO PILOT	880	RAB



SPECIFICATIONS:

Rated Capacity	20,000 pounds
Rated Output, typical	2 mV/V
Combined error	< 1 % F.S.
Non-repeatability	0.05 % F.S.
Zero Balance	1 % R.O.
Temperature Range, Compensated	50 F to 120 F
Temperature Effect, Output	0.0008 % of load / F
Temperature Effects, Zero Balance	0.01 % / R.O. / F
Bridge Impedance, Typical	700 ohms
Excitation Voltage, Typical	10 VDC or VAC rms
Excitation Voltage, Maximum	15 VDC or VAC rms
Insulation Resistance	> 5,000 megohms at 50 VDC
Overload, Safe	200 % over capacity
Overload, Ultimate	300 % over capacity
Deflection at Rated Capacity, Approximate	0.015 inch
Construction	Tool steel

Cable color code:

Green	+ Excitation
Black	- Excitation
White	+ Signal
Red	- Signal
Shield	< 1 OHM at cell

SPADE LUG (4370-837)

3 FEET ARMORED HOSE, 20 FEET OF SENSOR CABLE.

TOLERANCES UNLESS OTHERWISE SPECIFIED:

.XXX = ± 0.005

.XX = ± 0.015

.X = ± 0.025

SCALE: FULL



TOLEDO
TRANSDUCERS,
INC.

Designed By: **Mettert**

Date:
1/24/2000

Title / Description:
**SS1308 20,000 POUND UNIVERSAL
LOAD CELL**

Part No. **SS1308-20K**

Drawn By:

Date:

File Name **11521SP.FCD**

Approved By:

Date:

Dwg. Size: **A**
Dwg. Type: **SPEC**

Page 1 of 1

Doc. No. **11521**