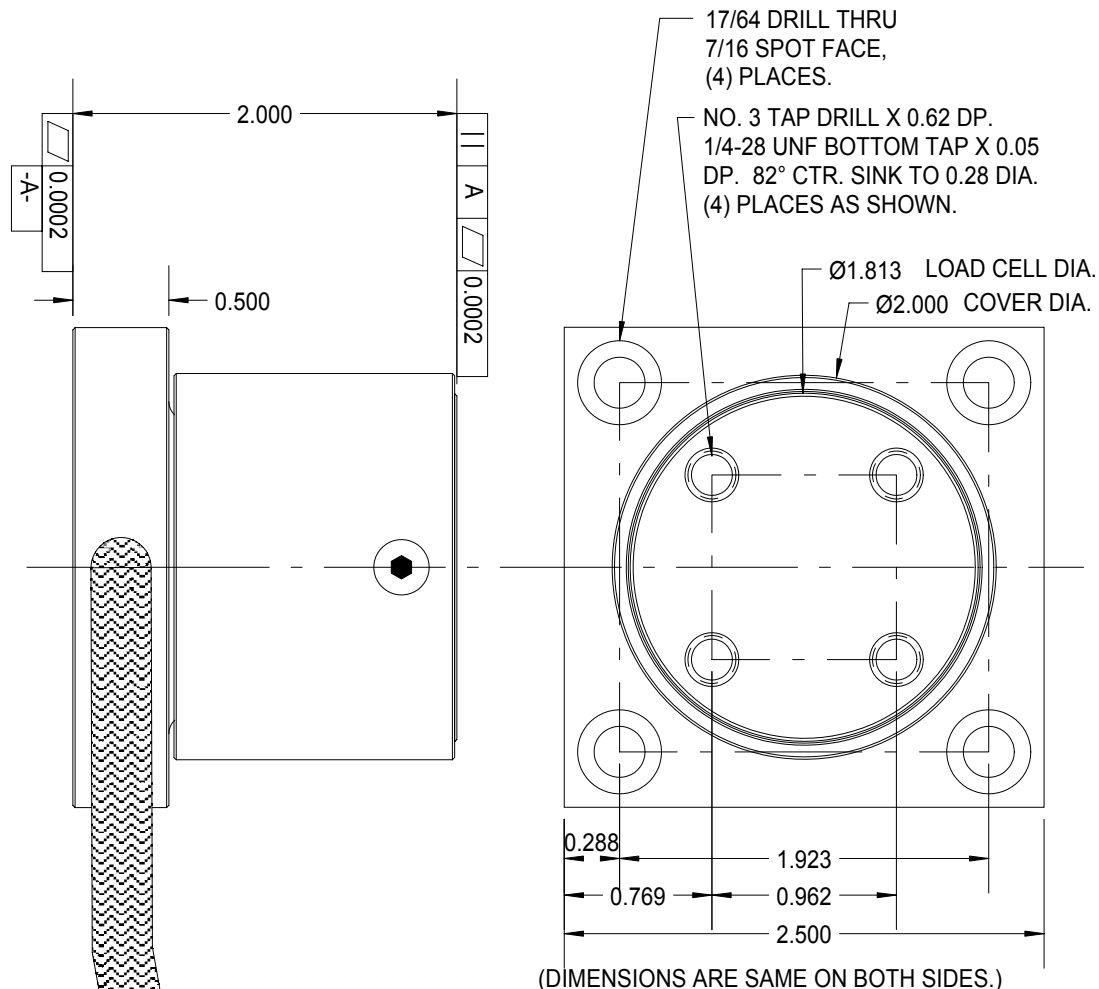


REV	DATE	DESCRIPTION	ECO	SIGN
1	1/28/00	RELEASE TO PILOT	880	RAB



SPECIFICATIONS:

Rated Capacity	10,000 pounds
Rated Output, typical	2 mV/V
Combined error	0.25 % F.S.
Non-repeatability	0.05 % F.S.
Zero Balance	1 % R.O.
Temperature Range, Compensated	50 F to 120 F
Temperature Effect, Output	0.0008 % of load / F
Temperature Effects, Zero Balance	0.01 % / R.O. / F
Bridge Impedance, Typical	700 ohms
Excitation Voltage, Typical	10 VDC or VAC rms
Excitation Voltage, Maximum	15 VDC or VAC rms
Insulation Resistance	> 5,000 megohms at 50 VDC
Overload, Safe	200 % over capacity
Overload, Ultimate	300 % over capacity
Deflection at Rated Capacity, Approximate	0.015 inch
Construction	Tool steel

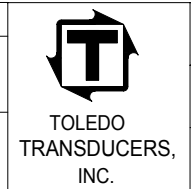
Cable color code:

Green	+ Excitation
Black	- Excitation
White	+ Signal
Red	- Signal
Shield	< 1 OHM at cell

SPADE LUG (4370-837)

3 FEET ARMORED HOSE, 20 FEET OF SENSOR CABLE.

TOLERANCES UNLESS OTHERWISE SPECIFIED:	
.XXX = ± 0.005	SCALE: FULL
.XX = ± 0.015	
.X = ± 0.025	



Designed By:	Mettert
Drawn By:	
Approved By:	

Date:	1/24/2000
Date:	
Date:	

Title / Description:	
SS1308 10,000 POUND UNIVERSAL LOAD CELL	
Dwg. Size:	A
Dwg. Type:	SPEC

Part No.	SS1308-10K
File Name	11521SP.FCD
Doc. No.	11521