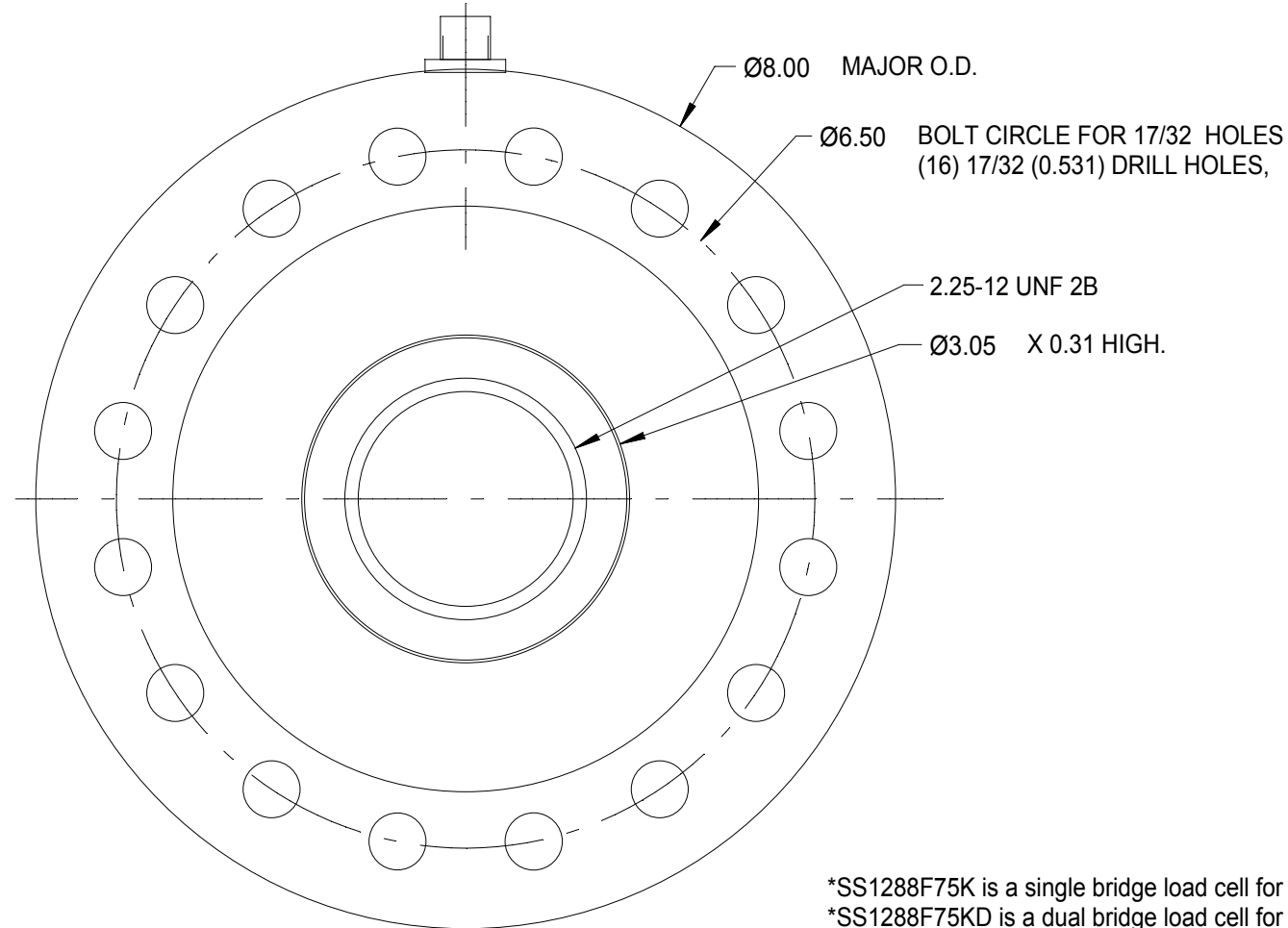
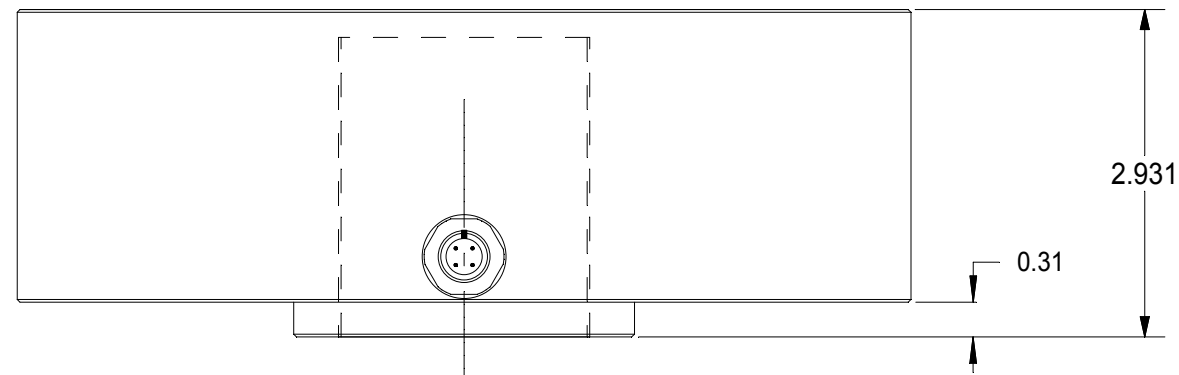


REV	DATE	DESCRIPTION	ECO	SIGN



SPECIFICATIONS:

Rated Capacity, (COMPRESSION)	75,000 pounds
Rated Output, typical	2 mV/V
Combined error	0.05 % F.S.
Non-repeatability	0.01 % F.S.
Zero Balance	1 % R.O.
Temperature Range, Compensated	50 F to 120 F
Temperature Effect, Output	0.0008 % of load / F
Temperature Effects, Zero Balance	0.002 % / R.O. / F
Bridge Impedance, Typical	700 ohms
Excitation Voltage, Typical	10 VDC or VAC rms
Excitation Voltage, Maximum	15 VDC or VAC rms
Insulation Resistance	> 5,000 megohms at 50 VDC
Overload, Safe	200 % over capacity
Overload, Ultimate	300 % over capacity
Deflection at Rated Capacity, Approximate	0.003 inch
Construction	AISI Tool Steel

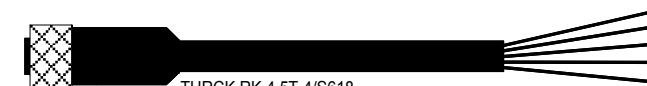
Pin Cable color code:

1 Brown	+ Excitation
2 White	+ Signal
3 Blue	- Signal
4 Black	- Excitation
5 Gray	2nd + Signal
6 Pink	2nd - Signal
Shield	Floats at cell

MALE PLUG OR MALE RECEPTACLE
TURCK FS 4.5/18.25
(REAR RECEPTACLE SIDE)



MALE PLUG OR MALE RECEPTACLE
TURCK FS 6/18.25
(FOR 2nd BRIDGE, REAR RECEPTACLE SIDE)



TURCK RK 4.5T-4/S618
2ND BRIDGE CABLE, TURCK RKS 6T-4

*SS1288F75K is a single bridge load cell for use in tension or compression.
*SS1288F75KD is a dual bridge load cell for use in tension or compression.

<p>TOLEDO TRANSDUCERS, INC.</p>	Designed By: Mettert	Date: 9/21/99	Title / Description: SS1288 75,000 POUND PRECISION LOAD CELL SPECIFICATIONS		Part No. SS1288F75K, SS1288F75KD*
	Drawn By:	Date:	Dwg. Size: A	Dwg. Type: SPEC	File Name 13983
	Approved By:	Date:	Page 1 of 1		Doc. No. 13983