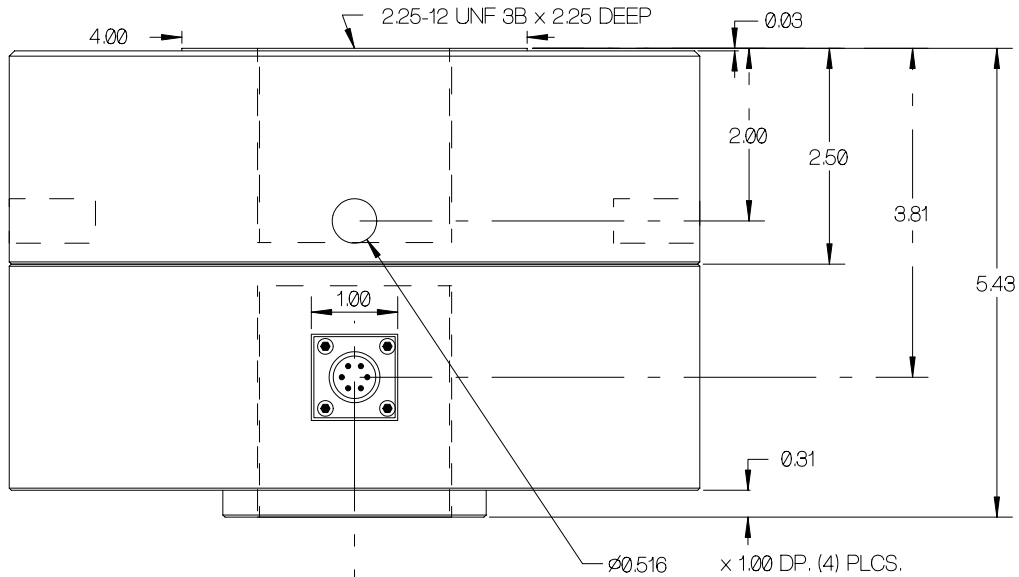


REV	DATE	DESCRIPTION	ECO	SIGN

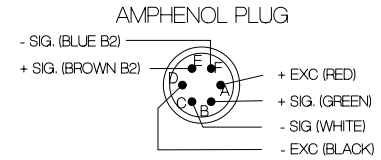
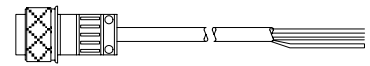
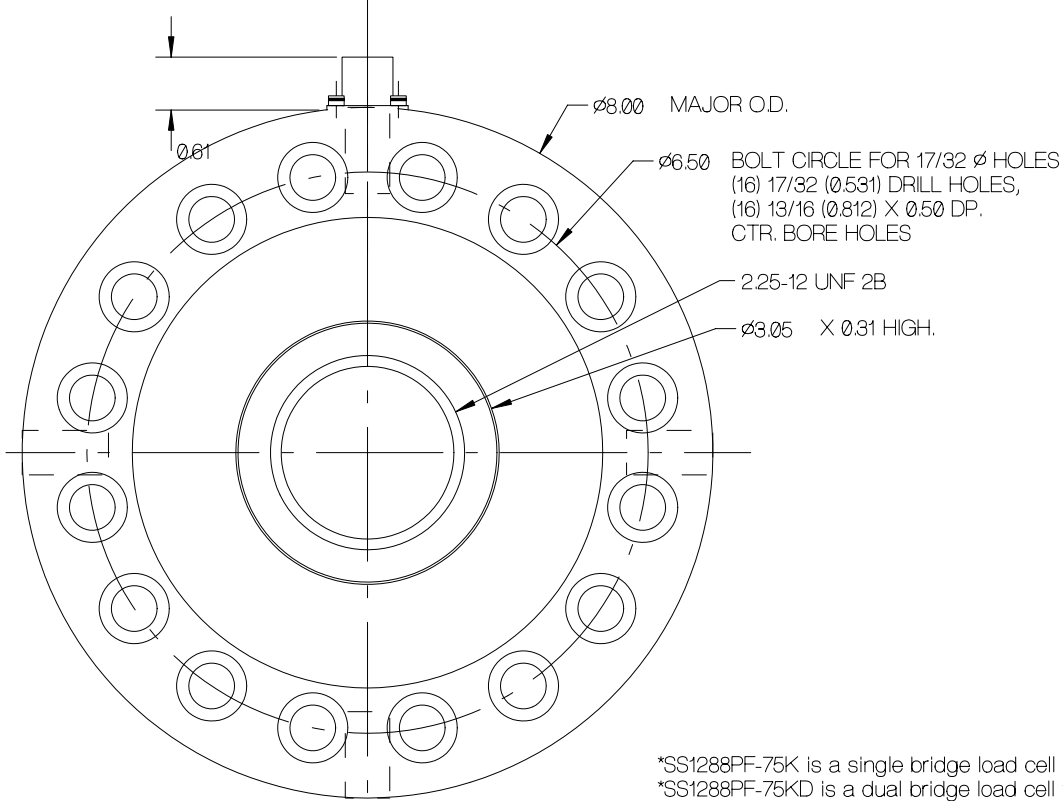


SPECIFICATIONS:

Rated Capacity, (COMPRESSION)	120,000 pounds
Rated Output, typical	2 mV/V
Combined error	0.05 % F.S.
Non-repeatability	0.01 % F.S.
Zero Balance	1 % R.O.
Temperature Range, Compensated	50 F to 120 F
Temperature Effect, Output	0.0008 % of load / F
Temperature Effects, Zero Balance	0.002 % / R.O. / F
Bridge Impedance, Typical	700 ohms
Excitation Voltage, Typical	10 VDC or VAC rms
Excitation Voltage, Maximum	15 VDC or VAC rms
Insulation Resistance	> 5,000 megohms at 50 VDC
Overload, Safe	150 % over capacity
Overload, Ultimate	200 % over capacity
Deflection at Rated Capacity, Approximate	0.003 inch
Construction	AISI Tool Steel

Cable color code:

Green or Yellow	+ Excitation
Black	- Excitation
White	+ Signal
Red	- Signal
Shield	Floats at cell
Cell Receptacle, Bendix	MS3112E-10-6P
Cable Plug, Bendix, (Length T.B.D.)	PT06A-10-6S



\*SS1288PF-75K is a single bridge load cell for use in tension or compression with pull plate.  
 \*SS1288PF-75KD is a dual bridge load cell for use in tension or compression with pull plate.

	Designed By: Mettert	Date: 9/21/99	Title / Description: SS1288 120,000 POUND CALIBRATION LOAD CELL SPECIFICATIONS	Part No. SS1288PF120K, SS1288PF120KD*
	Drawn By:	Date:	Dwg. Size: A	File Name
	Approved By:	Date:	Dwg. Type: SPEC	Doc. No.

Page 1 of 1