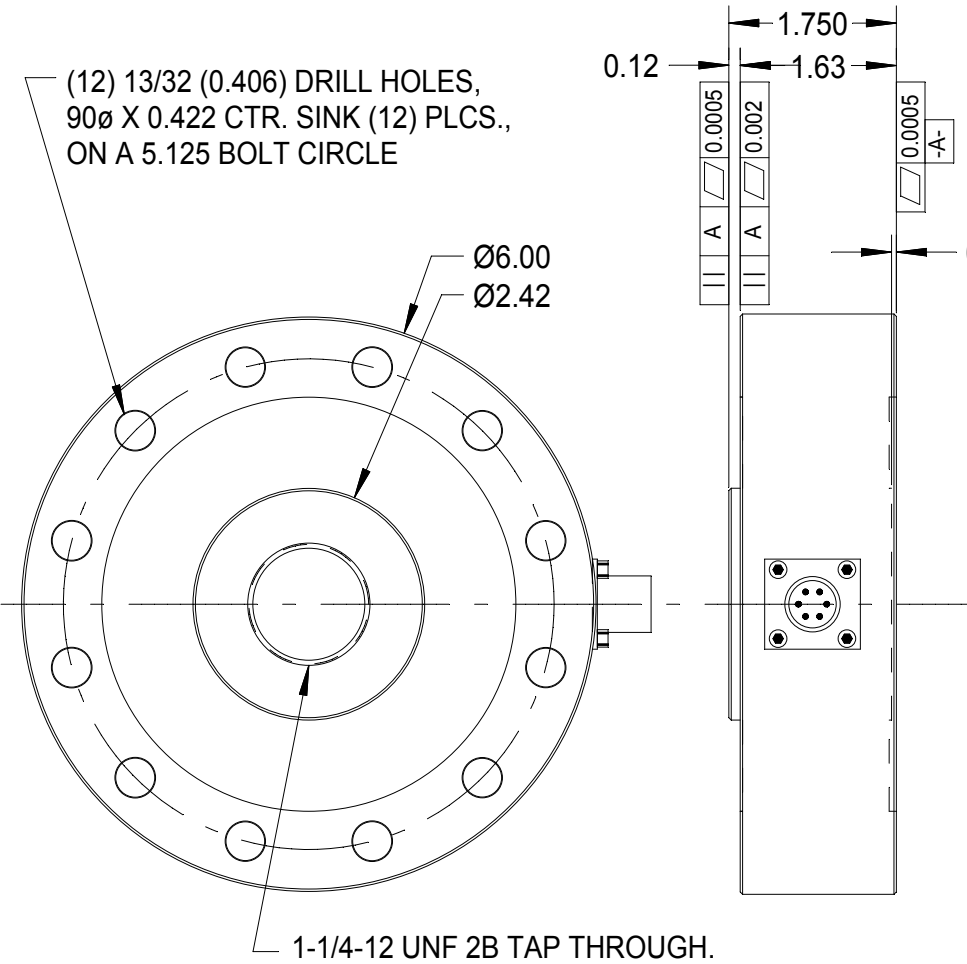


REV	DATE	DESCRIPTION	ECO	SIGN



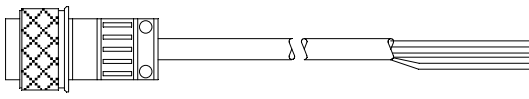
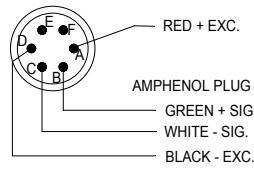
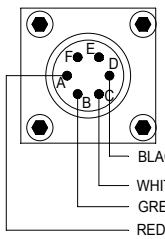
SPECIFICATIONS:

Rated Capacity, tension and or compression	50,000 pounds
Rated Output, (Ten. + out., Comp. - out.), Typical	2 mV/V
Combined error	0.05 % F.S.
Non-repeatability	0.05 % F.S.
Zero Balance	1 % R.O.
Temperature Range, Compensated	50° F to 150° F
Temperature Effect, Output	0.0008 % of load / ° F
Temperature Effects, Zero Balance	0.0015 % / R.O. / ° F
Temperature Range, Useable	-65° F to 200° F
Bridge Impedance, Typical	700 ohms
Excitation Voltage, Typical	10 VDC or VAC rms
Excitation Voltage, Maximum	15 VDC or VAC rms
Insulation Resistance	> 5,000 megohms at 50 VDC
Load, for Infinite Life, tension or compression	50,000 pounds
Load, for Infinite Life, tension and compression	50,000 pounds
Overload, Safe	150 % of Rated Capacity
Overload, Ultimate	200 % of Rated Capacity
Construction	Alloy Steel

Cable color code:

RED	+ Excitation
BLACK	- Excitation
GREEN	+ Signal
WHITE	- Signal
Shield	Floats at cell
Cell Receptacle, Bendix	MS3112E-10-6P, (PT02E-10-6P)
Cable Plug, Bendix, (Length T.B.D.)	PT06A-10-6S-SR

AMPHENOL PT02E106P RECEPTACLE



CABLE PART NO. (06A-XXFT-2T)
CABLE LENGTH XXFT MUST BE SPECIFIED WHEN ORDERING OR REQUESTING A QUOTE.

TOLERANCES UNLESS OTHERWISE SPECIFIED:	
.XXX = ± 0.005	SCALE: HALF
.XX = ± 0.015	
.X = ± 0.025	



Designed By:	Mettert
Drawn By:	
Approved By:	

Date:	12/20/99
Date:	
Date:	

Title / Description:	
SS1242 50,000 POUND UNIVERSAL LOAD CELL SPECIFICATIONS	
Dwg. Size:	A
Dwg. Type:	SPEC

Part No.	SS1242-50K
File Name	
Doc. No.	