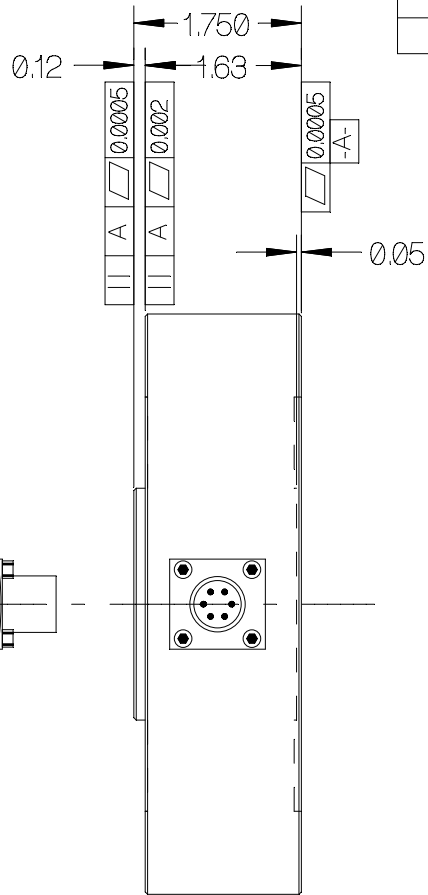
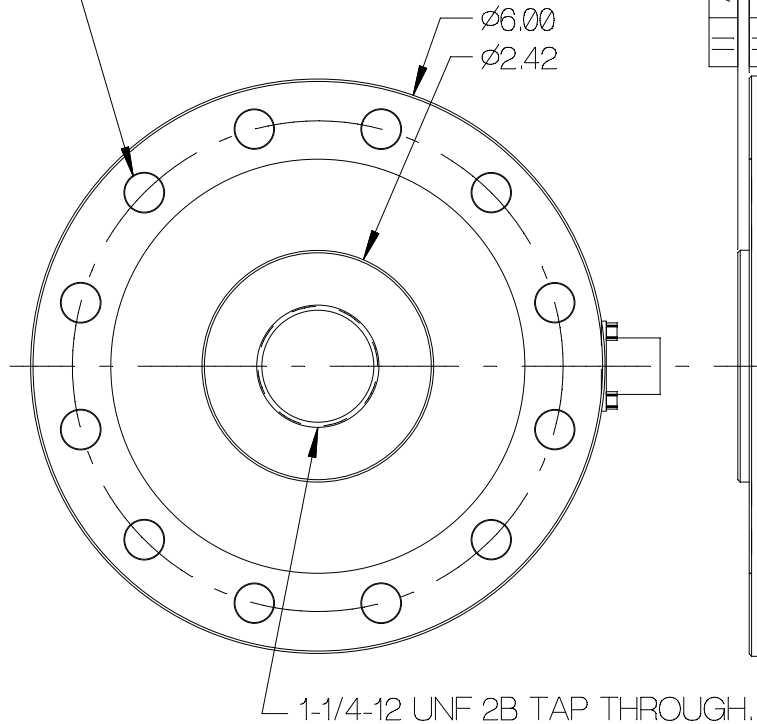


REV	DATE	DESCRIPTION	ECO	SIGN

(12) 13/32 (0.406) DRILL HOLES,
90° X 0.422 CTR. SINK (12) PLCS.,
ON A 5.125 BOLT CIRCLE



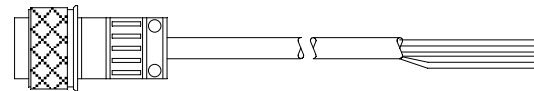
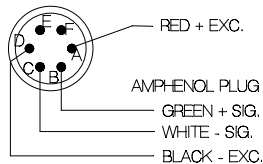
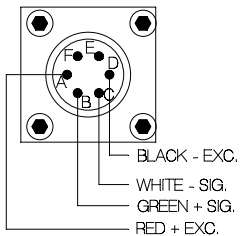
SPECIFICATIONS:

Rated Capacity, tension and or compression	40,000 pounds
Rated Output, (Ten. + out, Comp. - out.), Typical	4 mV/V
Combined error	0.05 % F.S.
Non-repeatability	0.05 % F.S.
Zero Balance	1 % R.O.
Temperature Range, Compensated	50° F to 150° F
Temperature Effect, Output	0.0008 % of load / ° F
Temperature Effects, Zero Balance	0.0015 % / R.O. / ° F
Temperature Range, Useable	-65° F to 200° F
Bridge Impedance, Typical	700 ohms
Excitation Voltage, Typical	10 VDC or VAC rms
Excitation Voltage, Maximum	15 VDC or VAC rms
Insulation Resistance	> 5,000 megohms at 50 VDC
Load, for Infinite Life, tension or compression	40,000 pounds
Load, for Infinite Life, tension and compression	40,000 pounds
Overload, Safe	110 % of Rated Capacity
Overload, Ultimate	125 % of Rated Capacity
Construction	Alloy Steel

Cable color code:

RED	+ Excitation
BLACK	- Excitation
GREEN	+ Signal
WHITE	- Signal
Shield	Floats at cell
Cell Receptacle, Bendix	MS3112E-10-6P, (PT02E-10-6P)
Cable Plug, Bendix, (Length T.B.D.)	PT06A-10-6S-SR

AMPHENOL PT02E106P
RECEPTACLE



CABLE PART NO. (06A-XXFT-2T)

CABLE LENGTH XXFT MUST BE SPECIFIED WHEN ORDERING OR REQUESTING A QUOTE.

TOLERANCES UNLESS OTHERWISE SPECIFIED:

XXX = ± 0.005
XX = ± 0.015
X = ± 0.025

SCALE: HALF



TOLEDO
TRANSDUCERS,
INC.

Designed By: Mettert

Date: 12/20/99

Drawn By:

Date:

Approved By:

Date:

Title / Description:

SS1242 40,000 POUND
UNIVERSAL LOAD CELL
SPECIFICATIONS

Dwg. Size:
A

Dwg. Type:
SPEC

Page 1 of 1

Part No.

SS1242-40K

File Name

Doc. No.