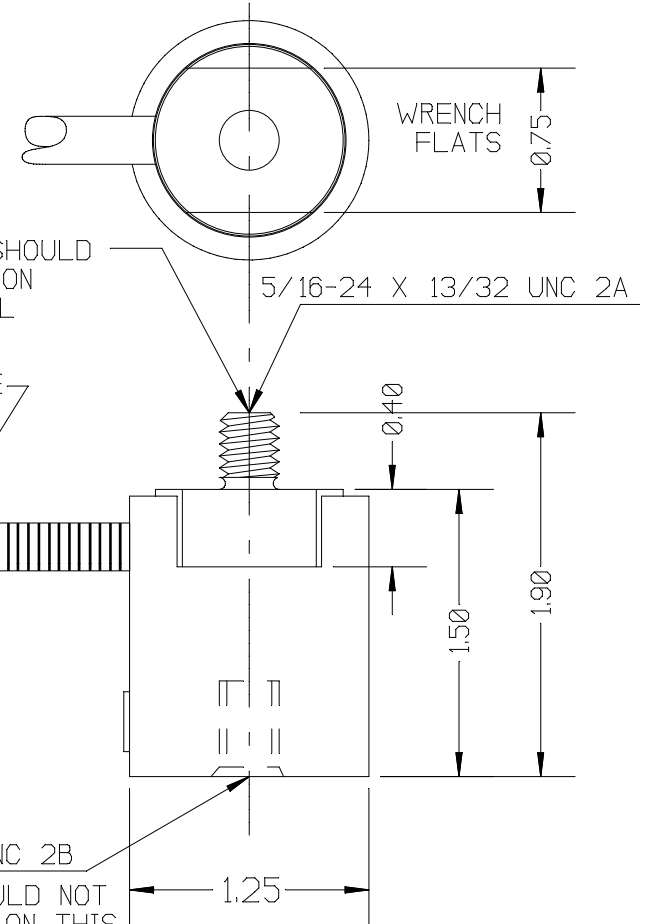
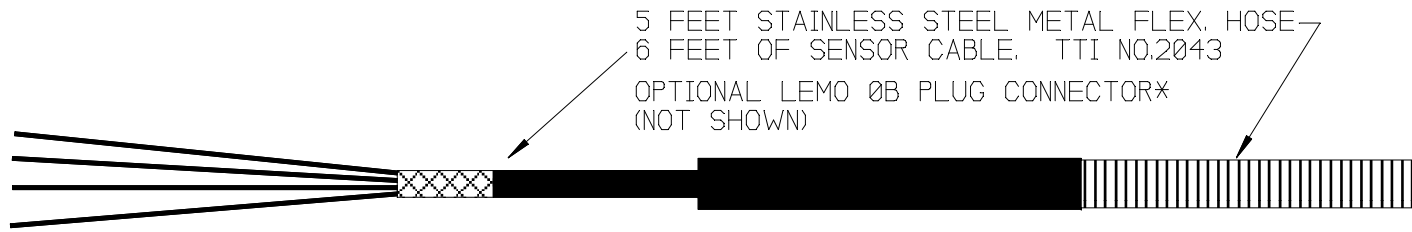


REV	DATE	DESCRIPTION	ECO	SIGN
1	11/12/98	RELEASE TO PILOT	702	RAB

WIRE COLOR CODE:

+ EXCITATION           YELLOW  
- EXCITATION           BLACK  
+ SIGNAL                WHITE  
- SIGNAL                RED  
SHIELD    1 OHM TO ELEMENT\*

\*(DYNAMIC LOAD CELL USED WITH T.T.I. PRODUCTION / LOAD MONITOR.)



INSTALLATION TORQUE SHOULD NOT EXCEED 170 IN-LB ON THIS END OF LOAD CELL

TOOL TORQUE SHOULD NOT EXCEED 170 IN-LB ON THIS END OF LOAD CELL

RATED CAPACITY	2,000 POUNDS
RATED OUTPUT	1.4 mV/V typical
COMBINED ERROR	0.25 %
NON-REPEATABILITY	0.05 %
ZERO BALANCE	± 1 %
TEMPERATURE RANGE, COMPENSATED	+14 TO 104° F
TEMPERATURE EFFECT, OUTPUT	0.014 % / ° F
TEMPERATURE EFFECT, ZERO BALANCE	0.05 % / ° F
INPUT IMPEDANCE	350 OHMS, typical
EXCITATION VOLTAGE (typical)	10 VDC or VAC rms
EXCITATION VOLTAGE, MAXIMUM	15 VDC or VAC rms
INSULATION RESISTANCE	5,000 MEG OHMS @ 50 VDC
MAXIMUM LOAD, SAFE	150 % F.S.
MAXIMUM LOAD, ULTIMATE	300 % F.S.

TOLERANCES UNLESS OTHERWISE SPECIFIED:

XXX = ± 0.005  
XX = ± 0.015  
X = ± 0.025

SCALE: FULL

FINISH: FINE BRUSHED FINISH, O.D. NO MARKS  
MAT'L: ALLOY STEEL / STAINLESS STEEL



TOLEDO  
TRANSDUCERS,  
INC.

Designed By: Mettert

Date: 8/4/98

Drawn By:

Date:

Approved By:

Date:

Title / Description:

2Klb INSERTION LOAD CELL  
SPECIFICATIONS

Dwg. Size:  
A

Dwg. Type:  
SPEC

Page 1 of 1

Part No.

SS1218-2K

File Name

10918SP.FCD

Doc. No.

10918