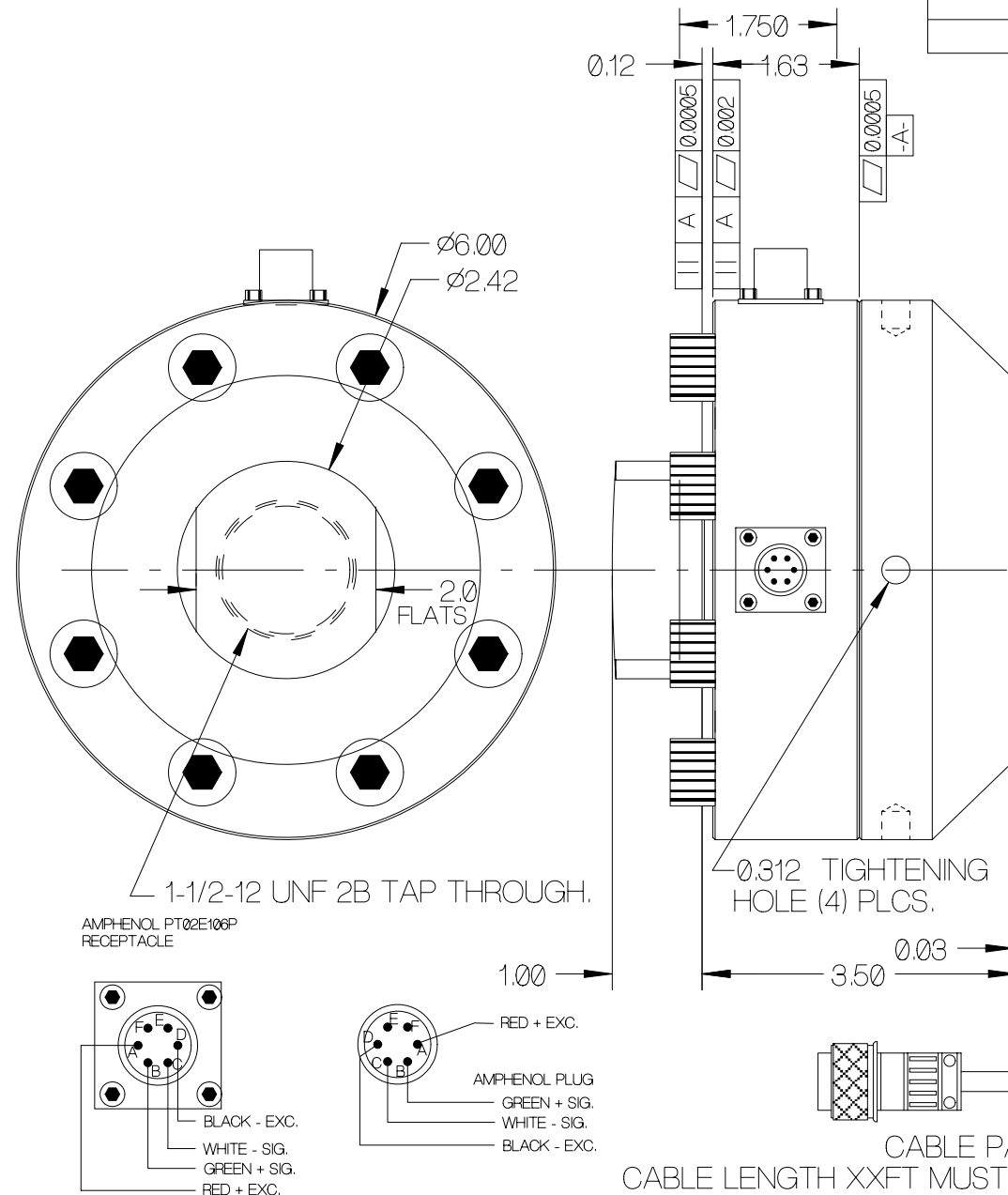


REV	DATE	DESCRIPTION	ECO	SIGN



SPECIFICATIONS:

Rated Capacity, tension and or compression	50,000 pounds
Rated Output, (Ten. + out., Comp. - out.), Typical	3 mV/V
Combined error	0.05 % F.S.
Non-repeatability	0.05 % F.S.
Zero Balance	1 % R.O.
Temperature Range, Compensated	50° F to 150° F
Temperature Effect, Output	0.0008 % of load / ° F
Temperature Effects, Zero Balance	0.0015 % / R.O. / ° F
Temperature Range, Useable	-65° F to 200° F
Bridge Impedance, Typical	700 ohms
Excitation Voltage, Typical	10 VDC or VAC rms
Excitation Voltage, Maximum	15 VDC or VAC rms
Insulation Resistance	> 5,000 megohms at 50 VDC
Load, for Infinite Life, tension or compression	50,000 pounds
Load, for Infinite Life, tension and compression	50,000 pounds
Overload, Safe	133 % over Rated Capacity
Overload, Ultimate	150 % over Rated Capacity
Construction	Tool steel

Cable color code:

RED	+ Excitation
BLACK	- Excitation
GREEN	+ Signal
WHITE	- Signal
Shield	Floats at cell
Cell Receptacle, Bendix	MS3112E-10-6P, (PT02E-10-6P)
Cable Plug, Bendix, (Length T.B.D.)	PT06A-10-6S-SR

CABLE PART NO. (06A-XXFT-2T)

CABLE LENGTH XXFT MUST BE SPECIFIED WHEN ORDERING OR REQUESTING A QUOTE.

TOLERANCES UNLESS OTHERWISE SPECIFIED:

XXX = ± 0.005
 XX = ± 0.015
 X = ± 0.025

SCALE: HALF



TOLEDO
 TRANSDUCERS,
 INC.

Designed By: Mettert

Date: 12/20/99

Drawn By:

Date:

Approved By:

Date:

Title / Description:
 SS1178 50,000 POUND
 UNIVERSAL LOAD CELL
 SPECIFICATIONS

Dwg. Size: A
 Dwg. Type: SPEC

Page 1 of 1

Part No. SS1178P50K

File Name

Doc. No.